

META SQUARE Single-lever mixer Pull-down with spray function - Durabronz (23kt Gold)

META SQUARE

33 870 861



- 240mm projection
- pivotable spout 360°
- Optional swivel limiter available with swivel limiter set 12 823 970 90
- laminar and spray flow
- 1800 mm metal shower hose
- sprayface with anti-scaling system
- max. flow 10.4 l/min at 3 bar flow pressure
- lead-free
- This product can help a building meet the requirements of Green Building Rating Systems, e.g. LEED®, BREEAM®, DGNB

Intrinsic protection against back flow.

	Durabronz (23kt Gold)	33 870 861-09
	Chrome	33 870 861-00
	Brushed Platinum	33 870 861-06
	Platinum	33 870 861-08
	Dark Chrome	33 870 861-19
	Brushed Durabronz (23kt Gold)	33 870 861-28
	Matte Black	33 870 861-33
	Brushed Champagne (22kt Gold)	33 870 861-46
	Champagne (22kt Gold)	33 870 861-47
	Brushed Chrome	33 870 861-93
	Brushed Dark Platinum	33 870 861-99

Recommended miscellaneous

	Swivel limitation set -	12 823 970 90
--	--------------------------------	---------------

Recommended miscellaneous

	Dispenser without rosette - Durabronz (23kt Gold)	82 424 970-09
--	--	---------------

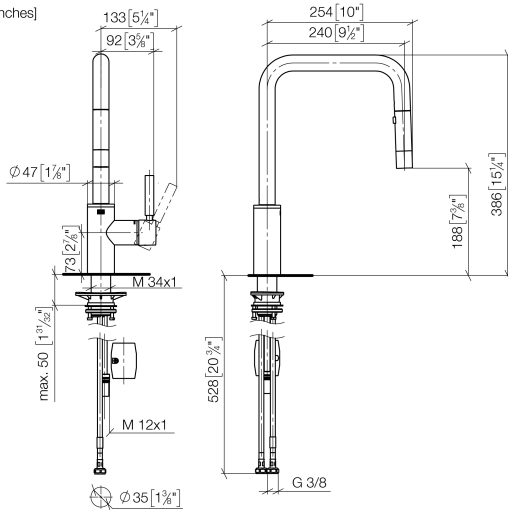
Recommended miscellaneous

	Strainer waste with control handle - Durabronz (23kt Gold)	10 712 970-09
--	---	---------------

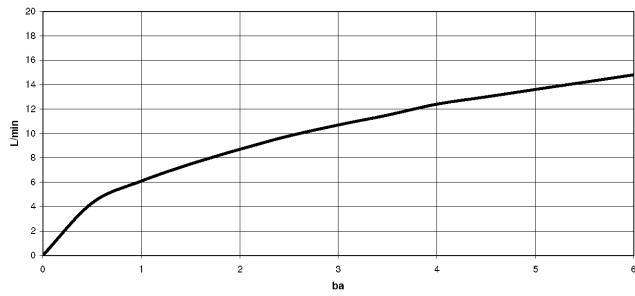
33 870 861

mm [inches]

1:5



Flow rate chart



Codes & Standards

DIN 4109

EN 1717

ISO 3822

Ü-Zeichen



**META SQUARE Single-lever mixer Pull-down with spray function - Durabrass
(23kt Gold)**

META SQUARE

33 870 861

Certificates

Belgaqua_24-005-2 LGA_38

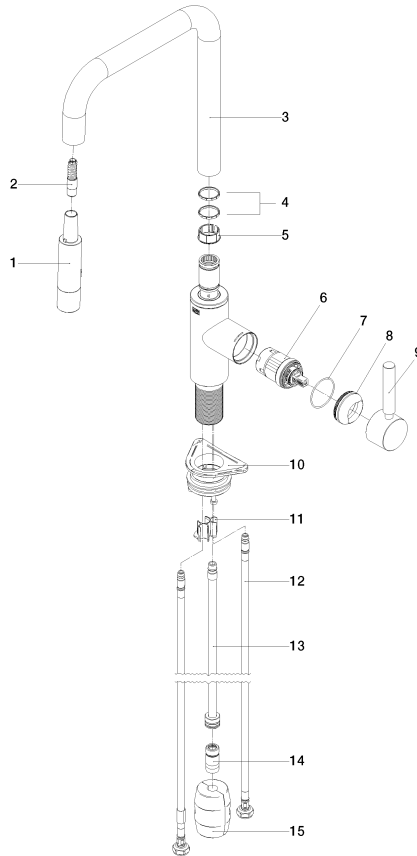


META SQUARE Single-lever mixer Pull-down with spray function - Durabrass (23kt Gold)

META SQUARE

33 870 861

Product version from 2/1/2023





META SQUARE Single-lever mixer Pull-down with spray function - Durabrass
(23kt Gold)

META SQUARE

33 870 861

Spare parts list

Product version from 2/1/2023

No.	Item Number	Name	Quantity used	Delivery time
	90 12 11 148 00-09	shower	17	-

Spare part can no longer be ordered, please order the replacement item