

33 870 895



- 240mm projection
- pivotable spout 360°
- Optional swivel limiter available with swivel limiter set 12 821 970 90
- laminar and spray flow
- height of mixer 444 mm
- height up to laminar flow regulator 240 mm
- hole diameter 35 mm
- 1800 mm metal shower hose
- sprayface with anti-scaling system
- max. flow 10.4 l/min at 3 bar flow pressure
- lead-free
- This product can help a building meet the requirements of Green Building Rating Systems, e.g. LEED®, BREEAM®, DGNB

Intrinsic protection against back flow.

	Matte Black	33 870 895-33
	Chrome	33 870 895-00
	Brushed Platinum	33 870 895-06
	Platinum	33 870 895-08
	Durabrand (23kt Gold)	33 870 895-09
	Dark Chrome	33 870 895-19
	Brushed Durabrand (23kt Gold)	33 870 895-28
	Brushed Champagne (22kt Gold)	33 870 895-46
	Champagne (22kt Gold)	33 870 895-47
	Brushed Chrome	33 870 895-93
	Brushed Dark Platinum	33 870 895-99

Recommended miscellaneous

**Swivel limitation set -** 12 821 970 90



Recommended miscellaneous

**Dispenser without rosette - Matte Black** 82 424 970-33



Recommended miscellaneous

**Strainer waste with control handle - Matte Black** 10 712 970-33



Recommended miscellaneous

**Dispenser without rosette - Matte Black** 82 424 970-33

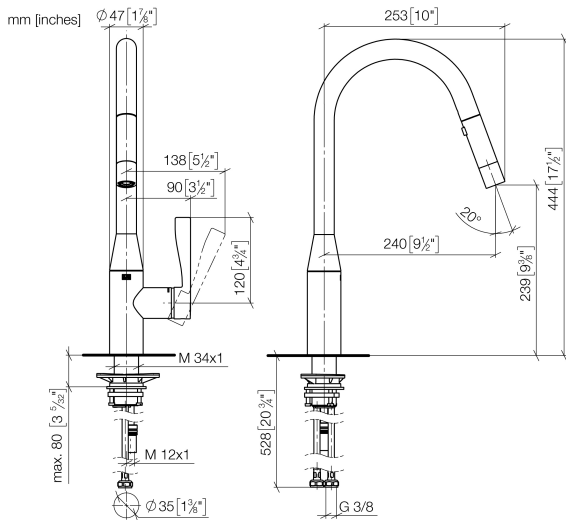


Recommended miscellaneous

**Strainer waste with control handle - Matte Black** 10 712 970-33



33 870 895



**Flow rate chart**



**Certificates**

LGA\_28657.

GDV\_0400314.

33 870 895

