

**Showerpipe with shower thermostat without hand shower - Brushed Dark
Platinum**

IMO

34 459 980



Fits: IMO, MEM, CL.1, CYO

- shower with fixed riser projection 453mm
- overhead shower: rain flow
- rain shower 300 x 240mm
- rain shower with anti-scale system
- max. rainshower flow 20 l/min
- Function from: 12 l/min
- rotary diverter with volume control and shut-off function
- slide-on rosettes Ø 70 mm
- height of fittings up to rain shower (bottom edge) 1009mm
- height of fittings up to top edge of elbow 1150mm
- gauge 150 mm - 13 mm
- metal shower hose 1750mm with integrated anti-twist protection
- 1/2" connection
- slide bar
- Pipe diameter 23.5 mm
- quick clearing
- WRAS 2204013

This article does not include a hand shower!
Intrinsic protection against back flow.


| | | |
|--|--------------------------------|---------------|
|  | Brushed Dark Platinum | 34 459 980-99 |
|  | Chrome | 34 459 980-00 |
|  | Brushed Platinum | 34 459 980-06 |
|  | Platinum | 34 459 980-08 |
|  | Dark Chrome | 34 459 980-19 |
|  | Brushed Light Gold | 34 459 980-27 |
|  | Brushed Durabronze (23kt Gold) | 34 459 980-28 |
|  | Matte Black | 34 459 980-33 |
|  | Brushed Champagne (22kt Gold) | 34 459 980-46 |
|  | Champagne (22kt Gold) | 34 459 980-47 |
|  | Brushed Chrome | 34 459 980-93 |

Showerpipe with shower thermostat without hand shower - Brushed Dark Platinum

IMO

34 459 980

Required miscellaneous

| | | |
|---|---|-----------------------|
|  | Hand shower FlowReduce - Brushed Dark Platinum | 28 012 979-99 0010 |
|---|---|-----------------------|


Required miscellaneous

| | | |
|---|--|---------------|
|  | Hand shower - Brushed Dark Platinum | 28 016 979-99 |
|---|--|---------------|

Required miscellaneous

| | | |
|---|---|-----------------------|
|  | Hand shower FlowReduce - Brushed Dark Platinum | 28 016 979-99 0010 |
|---|---|-----------------------|

Required miscellaneous

| | | |
|---|---|-----------------------|
|  | Hand shower FlowReduce - Brushed Dark Platinum | 28 018 979-99 0010 |
|---|---|-----------------------|


Required miscellaneous

| | | |
|---|---|-----------------------|
|  | SERIES-VARIOUS Hand shower - Brushed Dark Platinum | 28 029 979-99 0010 |
|---|---|-----------------------|

Required miscellaneous

| | | |
|---|---|-----------------------|
|  | SERIES-VARIOUS Hand shower - Brushed Dark Platinum | 28 025 979-99 0010 |
|---|---|-----------------------|

Required miscellaneous

| | | |
|---|--|---------------|
|  | Hand shower - Brushed Dark Platinum | 28 017 979-99 |
|---|--|---------------|

Required miscellaneous

| | | |
|---|--|---------------|
|  | Hand shower - Brushed Dark Platinum | 28 012 979-99 |
|---|--|---------------|

Required miscellaneous

| | | |
|---|--|---------------|
|  | Hand shower - Brushed Dark Platinum | 28 018 979-99 |
|---|--|---------------|

Required miscellaneous

| | | |
|---|---|---------------|
|  | SERIES-VARIOUS Hand shower - Brushed Dark Platinum | 28 029 979-99 |
|---|---|---------------|

Required miscellaneous

| | | |
|---|---|-----------------------|
|  | SERIES-VARIOUS Hand shower - Brushed Dark Platinum | 28 027 979-99 0010 |
|---|---|-----------------------|

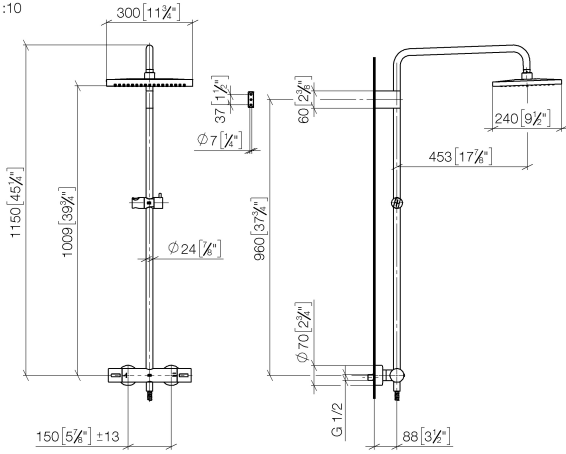
Showerpipe with shower thermostat without hand shower - Brushed Dark Platinum

IMO

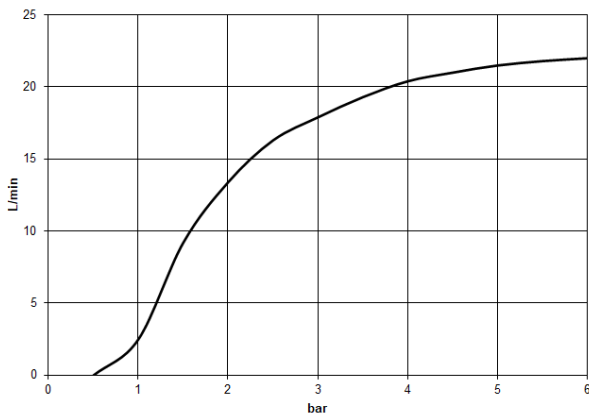
34 459 980

mm [inches]

1:10



Flow rate chart



Codes & Standards

DIN 4109

EN 1717

ISO 3822

Scottish Water
Byelaws

UK Water Supply
Regulations

Ü-Zeichen



Showerpipe with shower thermostat without hand shower - Brushed Dark
Platinum

IMO

34 459 980

Certificates

WRAS_2204

LGA_38

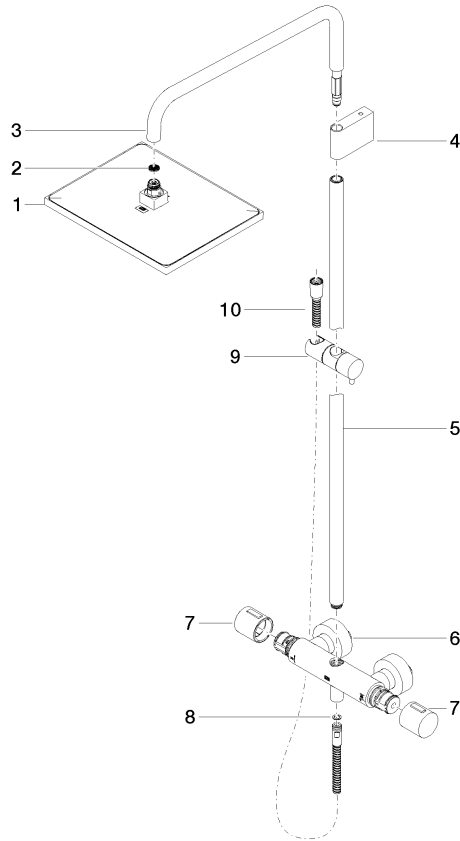
Belgaqua_21-032-2

Showerpipe with shower thermostat without hand shower - Brushed Dark
Platinum

34 459 980

Product version from 6/1/2024

Parts for other
finishes can be found
here: [Chrome](#)





Showerpipe with shower thermostat without hand shower - Brushed Dark
Platinum

IMO

34 459 980

Spare parts list

Product version from 6/1/2024

| No. | Item Number | Name | Quantity used | Delivery time |
|-----|--------------------|--------|---------------|---------------|
| | 04 12 05 063 00-99 | shower | 11 | 30 |