



## Concealed thermostat -

---

35 427 970 90



- lead-free, dezincification resistant
- 2x back flow preventer
- 2x female thread 1/2" connections
- 3x outlet G 1/2"
- dust cover
- anti-water packing
- sound and thermal insulation
- gauge 70 mm
- suitable for xGRID (when using installation track + 12 mm recess depth)
- WRAS 1906098

Can only be combined with exposed trim parts 36 427 SSS-FF

### Recommended miscellaneous

---



**Drybox Concealed thermostat -**  
● Overflow is part of the scope of delivery.

39 426 970 90

### Recommended miscellaneous

---



**xGRID Attachment set for integrating in the dry wall construction -**

12 340 970 90

### Required miscellaneous

---



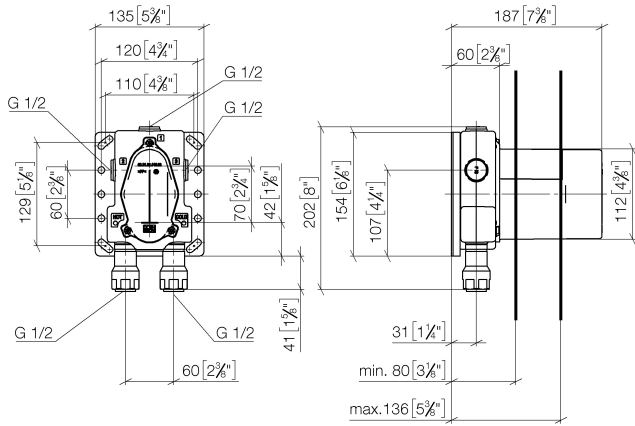
**xGRID Installation track 555 mm -** 12 360 970 90



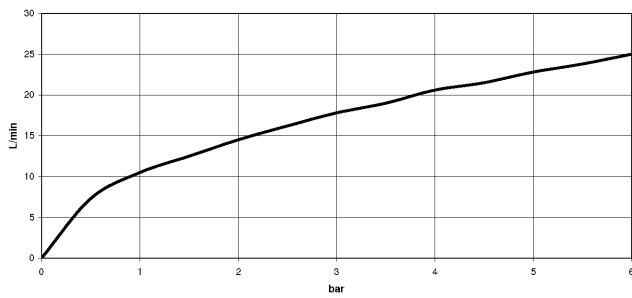
## Concealed thermostat -

35 427 970 90

mm [inches]



### Flow rate chart



### Codes & Standards

EN 1111

EN 1717

Scottish Water  
Byelaws

UK Water Supply  
Regulations



## Concealed thermostat -

---

35 427 970 90

### Certificates

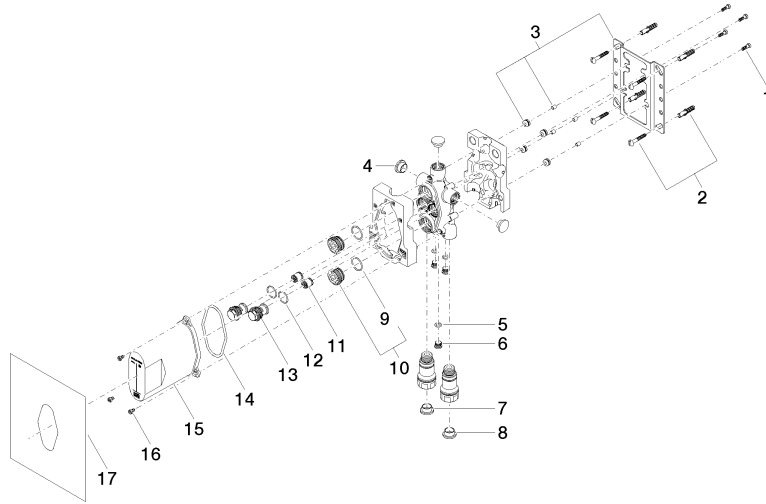
---

WRAS\_1906      Belgaqua\_22\_279\_2      DVGW\_DW-  
6512DN0

Concealed thermostat -

35 427 970 90

Product version from 3/13/2017





## Concealed thermostat -

---

35 427 970 90

### Spare parts list

#### Product version from 3/13/2017

No.	Item Number	Name	Quantity used	Delivery time
	09 30 30 171 90	screw	34	2