



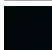


SERIES-VARIOUS AQUAHALO Concealed ceiling installation box - Chrome

35 750 970



- concealed rough parts
- Rain panel with 3 different flow modes
- AQUACIRCLE RAIN: Circular rain curtain, max. flow rate 14 l/min (at 3 bar)
- TEMPEST RAIN: Natural rain, max. flow rate 9 l/min (at 3 bar)
- DIAMOND RAIN: Ring of rain, max. flow rate 6.8 l/min (at 3 bar)
- Ceiling installation enclosure 605 x 605 x 95 mm
- Weight: 10 kg
- Supply pipe 7 m
- Input 100-240V AC 50-60Hz
- Output 12V DC SELV / Class II
- min. recess depth 110 mm
- max. recess depth 150 mm
- For simultaneous control of the jet types, we recommend the xTool thermostat module
- Provide DIN VDE 0100, Part 701 compliant safety zone 2
- Not suitable for use in a steam room.

includes light bulbs with a Class G energy efficiency

| | | |
|---|-------------------------------|---------------|
|  | Chrome | 35 750 970-00 |
|  | Brushed Platinum | 35 750 970-06 |
|  | Matte Black | 35 750 970-33 |
|  | Brushed Champagne (22kt Gold) | 35 750 970-46 |
|  | Champagne (22kt Gold) | 35 750 970-47 |

Recommended miscellaneous

Leak protection 1/2" -

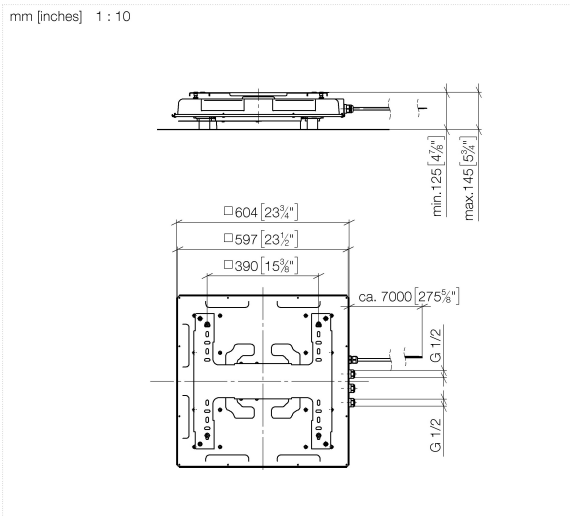
12 010 970 90

- This article is needed 3x.



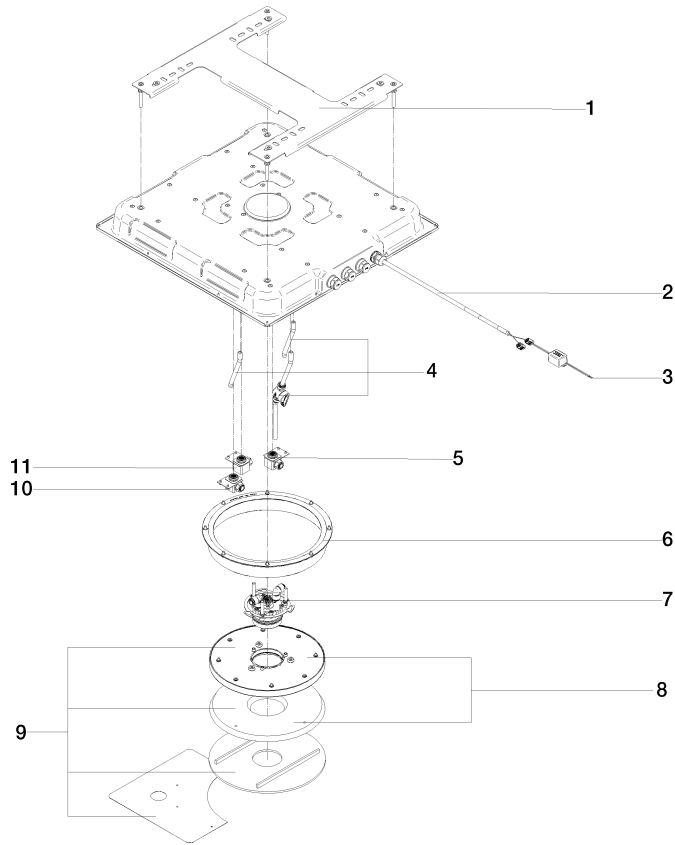
SERIES-VARIOUS AQUAHALO Concealed ceiling installation box - Chrome

35 750 970



SERIES-VARIOUS AQUAHALO Concealed ceiling installation box - Chrome

35 750 970





SERIES-VARIOUS AQUAHALO Concealed ceiling installation box - Chrome

35 750 970

Spare parts list

| No. | Item Number | Name | Quantity used | Delivery time |
|--|--------------------|---------------------------|---------------|---------------|
| 1 | 90 17 20 287 02 90 | flange | 1 | - |
| Spare part can no longer be ordered, please order the replacement item | | | | |
| 2 | 90 10 01 227 00 90 | electronic accessories | 1 | 2 |
| 3 | 90 10 01 257 00 90 | electronic accessories | 1 | 2 |
| 4 | 90 24 04 389 00 90 | Flushing service kit | 1 | - |
| Spare part can no longer be ordered, please order the replacement item | | | | |
| 5 | 90 24 04 605 02 90 | cartridge | 1 | - |
| Spare part can no longer be ordered, please order the replacement item | | | | |
| 6 | 90 21 02 439 00 90 | Repair kit | 1 | - |
| Spare part can no longer be ordered, please order the replacement item | | | | |
| 7 | 90 17 09 062 16-00 | Spray module Diamond Rain | 1 | 10 |
| 8 | 90 31 20 071 00 90 | rosette | 1 | - |
| Spare part can no longer be ordered, please order the replacement item | | | | |
| 9 | 90 91 42 097 00 90 | Installation kit | 1 | - |
| Spare part can no longer be ordered, please order the replacement item | | | | |
| 10 | 90 24 04 605 03 90 | cartridge | 1 | - |
| Spare part can no longer be ordered, please order the replacement item | | | | |
| 11 | 90 24 04 605 01 90 | cartridge | 1 | - |
| Spare part can no longer be ordered, please order the replacement item | | | | |