

META Concealed two-way diverter - Brushed Light Gold

36 200 661 Product version from 4/1/2022



- rotary diverter
- without rosette
- handle Ø 60mm
- WRAS

	Brushed Light Gold	36 200 661-27
	Chrome	36 200 661-00
	Brushed Platinum	36 200 661-06
	Dark Chrome	36 200 661-19
	Light Gold	36 200 661-26
	Matte Black	36 200 661-33
	Brushed Bronze	36 200 661-42
	Brushed Champagne (22kt Gold)	36 200 661-46
	Champagne (22kt Gold)	36 200 661-47
	Brushed Chrome	36 200 661-93
	Brushed Dark Platinum	36 200 661-99

Required miscellaneous

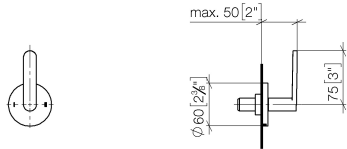


- Concealed two-way diverter -** 35 202 970 90
- min. recess depth mm
 - max. recess depth mm

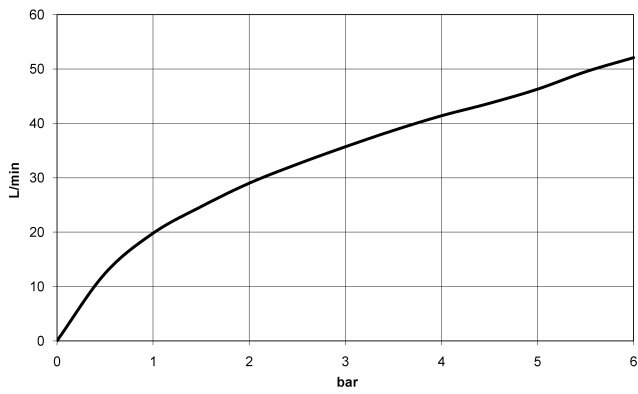
META Concealed two-way diverter - Brushed Light Gold

36 200 661 Product version from 4/1/2022

mm [inches]



Flow rate chart



Codes & Standards

DIN 4109

ISO 3822

Scottish Water
Byelaws

UK Water Supply
Regulations

Ü-Zeichen



META Concealed two-way diverter - Brushed Light Gold

36 200 661 Product version from 4/1/2022

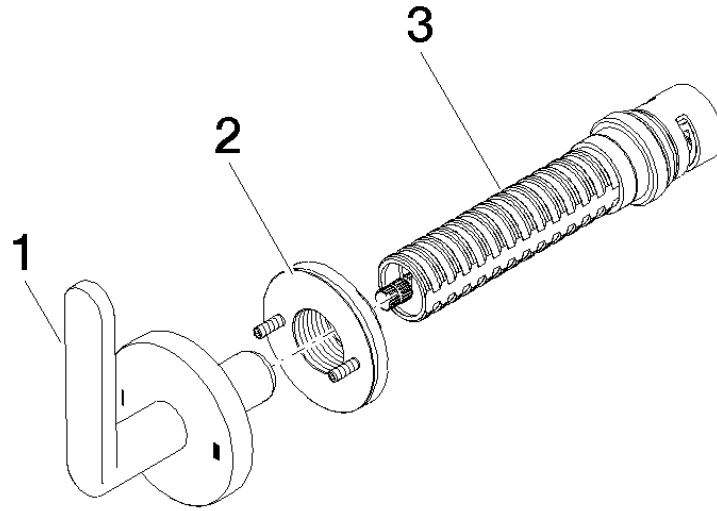
Certificates

LGA_38

WRAS_2307

META Concealed two-way diverter - Brushed Light Gold

36 200 661 Product version from 4/1/2022



Spare parts list

No.	Item Number	Name	Quantity used	Delivery time
1	90 20 66 014 00-27	handle	1	30
2	90 21 02 181 00 90	disc	1	2
3	90 90 03 304 10 90	diverter	1	2