

**MEM Concealed two-way diverter - Chrome**

MEM

36 200 782



- rotary diverter
- rosette 60 x 60 mm
- WRAS 2307045

	Chrome	36 200 782-00
	Brushed Platinum	36 200 782-06
	Platinum	36 200 782-08
	Dark Chrome	36 200 782-19
	Brushed Durabronze (23kt Gold)	36 200 782-28
	Brushed Champagne (22kt Gold)	36 200 782-46
	Champagne (22kt Gold)	36 200 782-47
	Brushed Dark Platinum	36 200 782-99

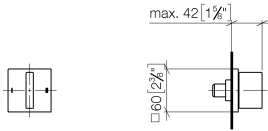
**Required miscellaneous**



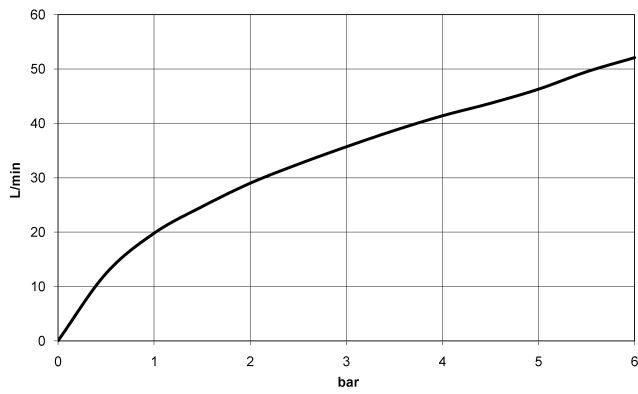
- Concealed two-way diverter -** 35 202 970 90
- max. recess depth 160 mm
  - min. recess depth 115 mm

36 200 782

mm [inches]



**Flow rate chart**



**Codes & Standards**

DIN 4109

ISO 3822

Scottish Water  
Byelaws

UK Water Supply  
Regulations

**Ü-Zeichen**



## MEM Concealed two-way diverter - Chrome

---

MEM

36 200 782

### Certificates

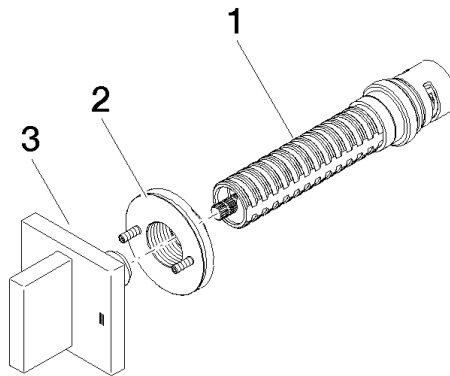
---

WRAS\_2307

LGA\_38

36 200 782

**Product version from 4/1/2022**





# MEM Concealed two-way diverter - Chrome

MEM

36 200 782

## Spare parts list

### Product version from 4/1/2022

No.	Item Number	Name	Quantity used	Delivery time
	90 90 03 304 10 90	diverter	3	2