

MEM Concealed two-way diverter - Brushed Dark Platinum

MEM

36 200 782



- rotary diverter
- rosette 60 x 60 mm
- WRAS 2307045

| | | |
|--|-------------------------------|---------------|
|  | Brushed Dark Platinum | 36 200 782-99 |
|  | Chrome | 36 200 782-00 |
|  | Brushed Platinum | 36 200 782-06 |
|  | Platinum | 36 200 782-08 |
|  | Dark Chrome | 36 200 782-19 |
|  | Brushed Durabross (23kt Gold) | 36 200 782-28 |
|  | Brushed Champagne (22kt Gold) | 36 200 782-46 |
|  | Champagne (22kt Gold) | 36 200 782-47 |

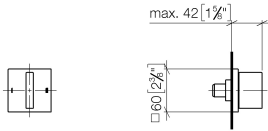
Required miscellaneous



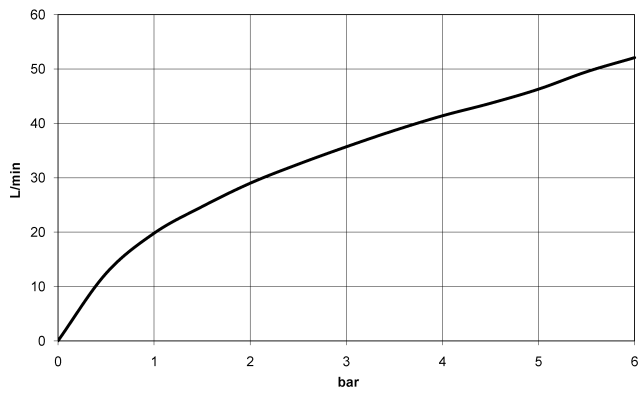
- Concealed two-way diverter -** 35 202 970 90
- max. recess depth 160 mm
 - min. recess depth 115 mm

36 200 782

mm [inches]



Flow rate chart



Codes & Standards

DIN 4109

ISO 3822

Scottish Water
Byelaws

UK Water Supply
Regulations

Ü-Zeichen



MEM Concealed two-way diverter - Brushed Dark Platinum

MEM

36 200 782

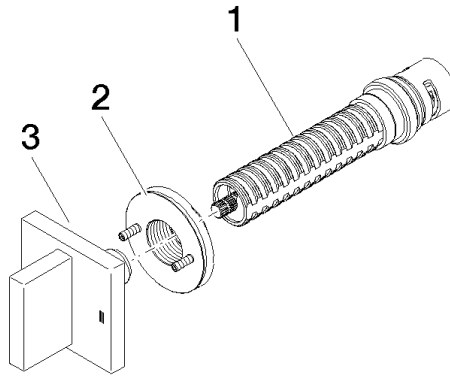
Certificates

WRAS_2307

LGA_38

36 200 782

Product version from 4/1/2022





MEM Concealed two-way diverter - Brushed Dark Platinum

MEM

36 200 782

Spare parts list

Product version from 4/1/2022

| No. | Item Number | Name | Quantity used | Delivery time |
|-----|--------------------|----------|---------------|---------------|
| | 90 90 03 304 10 90 | diverter | 3 | 2 |