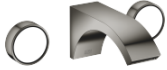


36 707 811



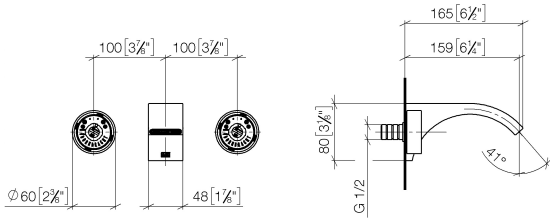
- 160mm projection
- fixed spout
- rectangular, air-enriched flow
- hole diameter valve 37 mm
- hole diameter spout 37 mm
- handle Ø 60mm
- max. flow 4.5 l/min
- lead-free
- This product can help a building meet the requirements of Green Building Rating Systems, e.g. LEED®, BREEAM®, DGNB
- WRAS 2111006

NOTE: The handle inserts must be ordered separately from the fittings!

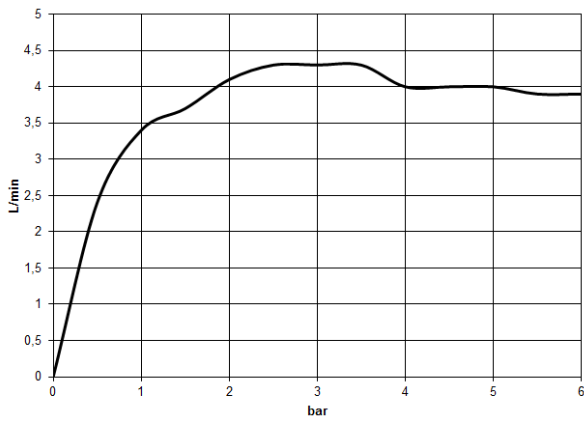
	Dark Chrome	36 707 811-19
	Chrome	36 707 811-00
	Brushed Platinum	36 707 811-06
	Brushed Durabronze (23kt Gold)	36 707 811-28
	Platinum / Brushed Platinum	36 707 811-36
	Durabronze / Brushed Durabronze (23kt Gold)	36 707 811-38
	Brushed Bronze	36 707 811-42
	Brushed Dark Platinum	36 707 811-99

36 707 811

mm [inches]



Flow rate chart



Codes & Standards

NSF372

NSF61



CYO Wall-mounted basin mixer without pop-up waste - Dark Chrome

CYO

36 707 811

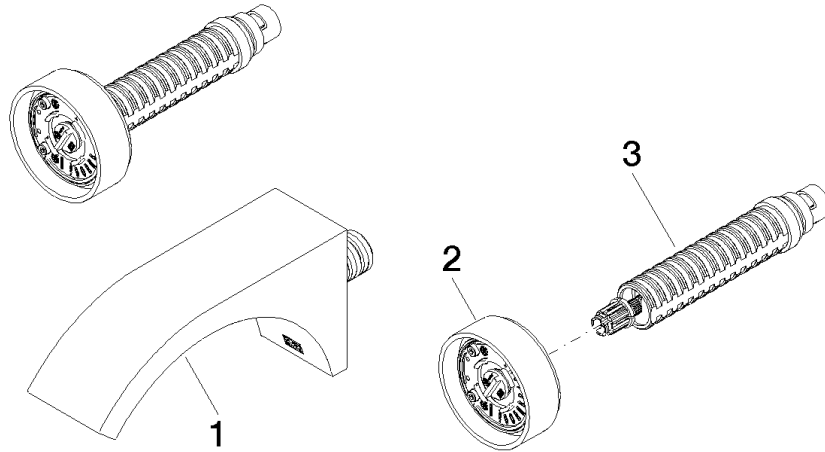
Certificates

IAPMO_6397

IAPMO_N-4976

36 707 811

Parts for other
finishes can be found
here: [Chrome](#)





CYO Wall-mounted basin mixer without pop-up waste - Dark Chrome

CYO

36 707 811

Spare parts list

No.	Item Number	Name	Quantity used	Delivery time
	13 800 811-19	CYO Wall-mounted basin spout without pop-up waste - Dark Chrome	3	20