
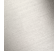






MADISON Wall-mounted basin mixer without pop-up waste - Chrome

36 712 361 Product version from 7/3/2016



- 190mm projection
- fixed spout
- circular, air-enriched flow
- hole diameter valve 40 mm
- hole diameter spout 40 mm
- slide-on rosettes Ø 55 mm
- max. flow 7 l/min
- lead-free
- This product can help a building meet the requirements of Green Building Rating Systems, e.g. LEED®, BREEAM®, DGNB

| | | |
|---|-------------------------------|---------------|
|  | Chrome | 36 712 361-00 |
|  | Brushed Platinum | 36 712 361-06 |
|  | Platinum | 36 712 361-08 |
|  | Durabrace (23kt Gold) | 36 712 361-09 |
|  | Brushed Durabrace (23kt Gold) | 36 712 361-28 |
|  | Brushed Dark Platinum | 36 712 361-99 |

Required miscellaneous



- Concealed wall-mounted mixer centred spout -** 35 700 970 90
- max. recess depth mm
 - min. recess depth mm

Required miscellaneous

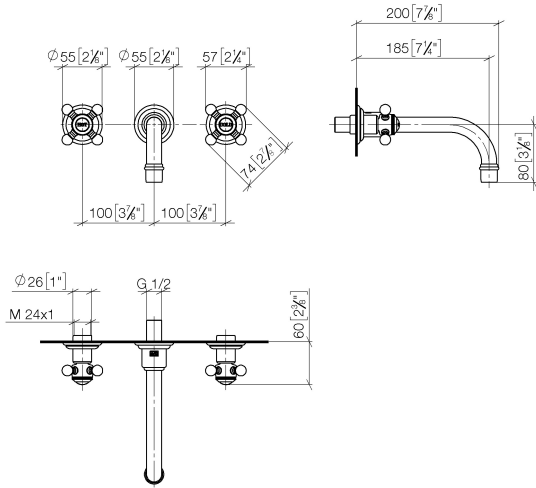


- Concealed wall-mounted mixer variable positioning -** 35 720 970 90
- min. recess depth mm
 - max. recess depth mm

MADISON Wall-mounted basin mixer without pop-up waste - Chrome

36 712 361 Product version from 7/3/2016

mm [inches]



Flow rate chart



Codes & Standards

DIN 4109

ISO 3822

Ü-Zeichen



MADISON Wall-mounted basin mixer without pop-up waste - Chrome

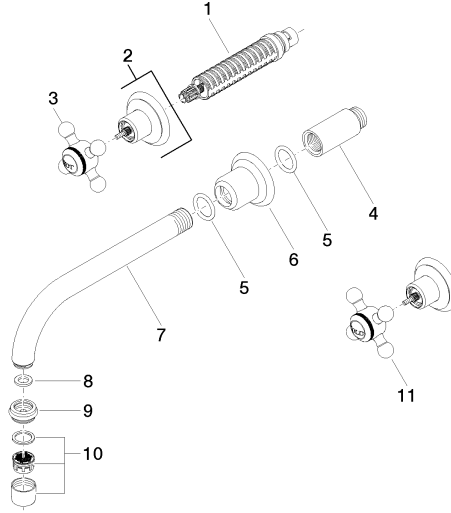
36 712 361 Product version from 7/3/2016

Certificates

LGA_19

MADISON Wall-mounted basin mixer without pop-up waste - Chrome

36 712 361 Product version from 7/3/2016



36 712 361-FF

Spare parts list

| No. | Item Number | Name | Quantity used | Delivery time |
|-----|--------------------|-----------------|---------------|---------------|
| 1 | 90 90 03 157 00 90 | top | 2 | 2 |
| 2 | 36 310 361-00 | connection | 2 | 10 |
| 3 | 04 20 36 100 01-00 | handle (hot) | 1 | 10 |
| 4 | 09 24 03 081 10 90 | extension | 1 | 2 |
| 5 | 90 14 10 026 00 90 | seal | 1 | 2 |
| 6 | 09 27 36 010-00 | rosette | 1 | 10 |
| 7 | 04 28 22 090 10-00 | spout | 1 | 10 |
| 8 | 90 14 05 020 00 90 | seal | 1 | 2 |
| 9 | 09 24 03 022 10-00 | nipple | 1 | 10 |
| 10 | 90 23 01 119 02-00 | aerator | 1 | 10 |
| 11 | 04 20 36 100 00-00 | handle (cold) | 1 | 10 |