



MADISON Wall-mounted basin mixer without pop-up waste - Durabronss (23kt Gold)

36 712 361 Product version from 7/3/2016



- 190mm projection
- fixed spout
- circular, air-enriched flow
- hole diameter valve 40 mm
- hole diameter spout 40 mm
- slide-on rosettes Ø 55 mm
- max. flow 7 l/min
- lead-free
- This product can help a building meet the requirements of Green Building Rating Systems, e.g. LEED®, BREEAM®, DGNB

	Durabronss (23kt Gold)	36 712 361-09
	Chrome	36 712 361-00
	Brushed Platinum	36 712 361-06
	Platinum	36 712 361-08
	Brushed Durabronss (23kt Gold)	36 712 361-28
	Brushed Dark Platinum	36 712 361-99

Required miscellaneous



Concealed wall-mounted mixer 35 700 970 90

- max. recess depth mm
- min. recess depth mm

Required miscellaneous

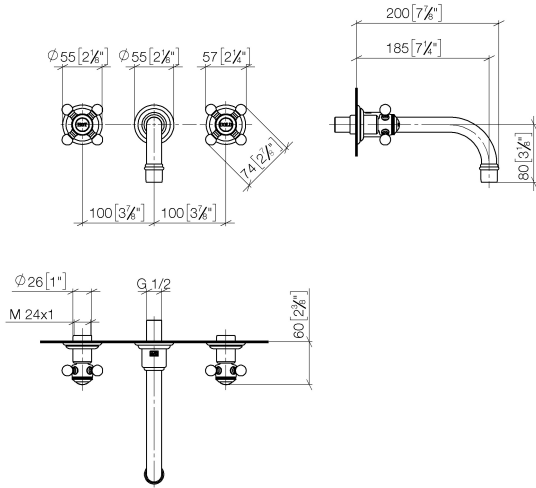


Concealed wall-mounted mixer 35 720 970 90

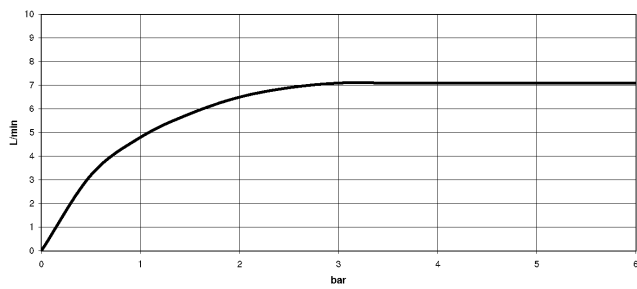
- min. recess depth mm
- max. recess depth mm

MADISON Wall-mounted basin mixer without pop-up waste - Durabronze (23kt Gold)

36 712 361 Product version from 7/3/2016
mm [inches]



Flow rate chart



Codes & Standards

DIN 4109

ISO 3822

Ü-Zeichen



MADISON Wall-mounted basin mixer without pop-up waste - Durabronss (23kt Gold)

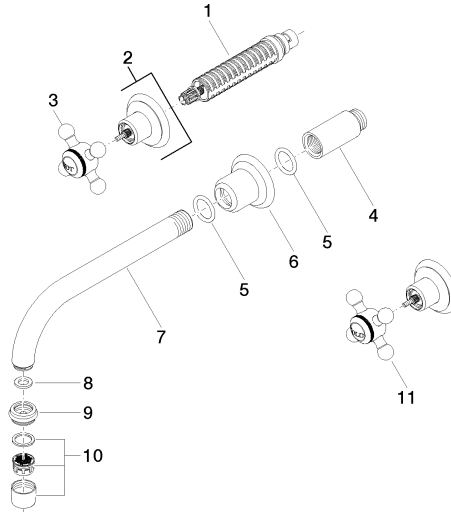
36 712 361 Product version from 7/3/2016

Certificates

LGA_19

MADISON Wall-mounted basin mixer without pop-up waste - Durabronze (23kt Gold)

36 712 361 Product version from 7/3/2016



36 712 361-FF

Spare parts list

No.	Item Number	Name	Quantity used	Delivery time
1	90 90 03 157 00 90	top	2	2
2	36 310 361-09	connection	2	40
3	04 20 36 100 01-09	handle (hot)	1	40
4	09 24 03 081 10 90	extension	1	2
5	90 14 10 026 00 90	seal	1	2
6	09 27 36 010-09	rosette	1	40
7	04 28 22 090 10-09	spout	1	40
8	90 14 05 020 00 90	seal	1	2
9	09 24 03 022 10-09	nipple	1	40
10	90 23 01 119 02-09	aerator	1	40
11	04 20 36 100 00-09	handle (cold)	1	40