

TARA Wall-mounted basin mixer without pop-up waste - Chrome

36 712 892 Product version from 4/1/2024



- 190mm projection
- fixed spout
- circular, air-enriched flow
- hole diameter valve 40 mm
- hole diameter spout 40 mm
- rosette Ø 55 mm
- max. flow 7 l/min
- lead-free
- WRAS
- This product can help a building meet the requirements of Green Building Rating Systems, e.g. LEED®, BREEAM®, DGNB

	Chrome	36 712 892-00
	Brushed Platinum	36 712 892-06
	Platinum	36 712 892-08
	Dark Chrome	36 712 892-19
	Brushed Durabronze (23kt Gold)	36 712 892-28
	Matte Black	36 712 892-33
	Brushed Bronze	36 712 892-42
	Brushed Champagne (22kt Gold)	36 712 892-46
	Champagne (22kt Gold)	36 712 892-47
	Brushed Chrome	36 712 892-93
	Brushed Dark Platinum	36 712 892-99

Required miscellaneous



- Concealed wall-mounted mixer centred spout -** 35 700 970 90
- max. recess depth mm
 - min. recess depth mm

Required miscellaneous

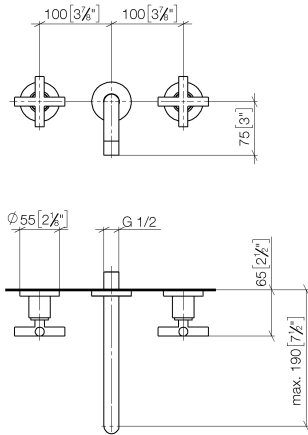


- Concealed wall-mounted mixer variable positioning -** 35 720 970 90
- min. recess depth mm
 - max. recess depth mm

TARA Wall-mounted basin mixer without pop-up waste - Chrome

36 712 892 Product version from 4/1/2024

mm [inches]



Flow rate chart



Codes & Standards

DIN 4109	EN 200	ISO 3822	Scottish Water Byelaws
UK Water Supply Regulations	Ü-Zeichen	VA-Zeichen	XP P 41-280



TARA Wall-mounted basin mixer without pop-up waste - Chrome

36 712 892 Product version from 4/1/2024

Certificates

WRAS_2107

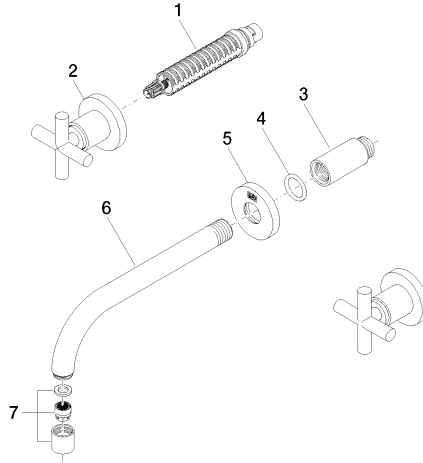
LGA_18

ACS_20 ACC LY

ETA_19

TARA Wall-mounted basin mixer without pop-up waste - Chrome

36 712 892 Product version from 4/1/2024



Spare parts list

No.	Item Number	Name	Quantity used	Delivery time
1	90 90 03 157 00 90	top	2	2
2	36 310 892-00	connection	2	10
3	09 24 03 081 10 90	extension	1	2
4	90 14 10 026 00 90	seal	1	2
5	09 27 22 503-00	rosette	1	10
6	04 28 22 090 10-00	spout	1	10
7	90 23 01 019 00-00	aerator	1	10