

TARA Wall-mounted basin mixer without pop-up waste - Brushed Champagne (22kt Gold)

36 712 892 Product version from 4/1/2024



- 190mm projection
- fixed spout
- circular, air-enriched flow
- hole diameter valve 40 mm
- hole diameter spout 40 mm
- rosette Ø 55 mm
- max. flow 7 l/min
- lead-free
- WRAS
- This product can help a building meet the requirements of Green Building Rating Systems, e.g. LEED®, BREEAM®, DGNB

	Brushed Champagne (22kt Gold)	36 712 892-46
	Chrome	36 712 892-00
	Brushed Platinum	36 712 892-06
	Platinum	36 712 892-08
	Dark Chrome	36 712 892-19
	Brushed Durabrass (23kt Gold)	36 712 892-28
	Matte Black	36 712 892-33
	Brushed Bronze	36 712 892-42
	Champagne (22kt Gold)	36 712 892-47
	Brushed Chrome	36 712 892-93
	Brushed Dark Platinum	36 712 892-99

Required miscellaneous



Concealed wall-mounted mixer centred spout - 35 700 970 90
 •max. recess depth mm
 •min. recess depth mm

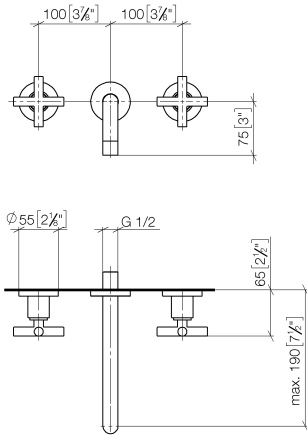
Required miscellaneous



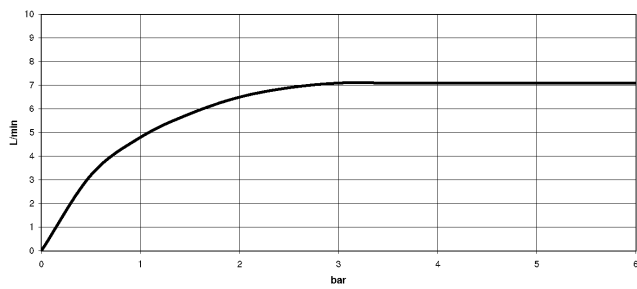
Concealed wall-mounted mixer variable positioning - 35 720 970 90
 •min. recess depth mm
 •max. recess depth mm

**TARA Wall-mounted basin mixer without pop-up waste - Brushed Champagne
(22kt Gold)**

36 712 892 Product version from 4/1/2024
mm [inches]



Flow rate chart



Codes & Standards

DIN 4109

ISO 3822

Ü-Zeichen



TARA Wall-mounted basin mixer without pop-up waste - Brushed Champagne (22kt Gold)

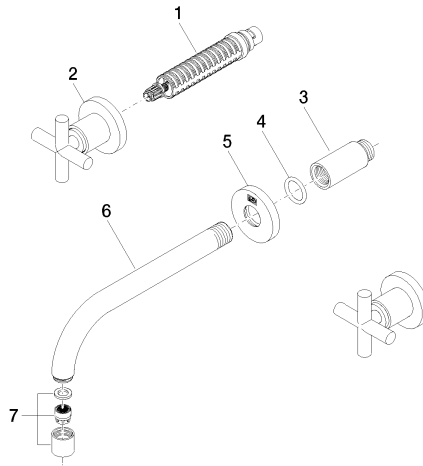
36 712 892 Product version from 4/1/2024

Certificates

LGA_18

**TARA Wall-mounted basin mixer without pop-up waste - Brushed Champagne
(22kt Gold)**

36 712 892 Product version from 4/1/2024



Spare parts list

No.	Item Number	Name	Quantity used	Delivery time
1	90 90 03 157 00 90	top	2	2
2	36 310 892-46	TARA Wall valve - Brushed Champagne (22kt Gold)	2	-
Spare part can no longer be ordered, please order the replacement item				
3	09 24 03 081 10 90	extension	1	2
4	90 14 10 026 00 90	seal	1	2
5	09 27 22 503-46	rosette	1	30
6	04 28 22 090 10-46	spout	1	30
7	90 23 01 019 00-46	aerator	1	30