

**META Wall-mounted single-lever basin mixer without pop-up waste - Matte Black**

META

36 805 661



- 160mm projection
- fixed spout
- circular, air-enriched flow
- hole diameter 60 mm
- rosette Ø 78 mm
- max. spout flow rate 5.7 l/min
- lead-free
- with single-point mounting

|  |                               |               |
|--|-------------------------------|---------------|
|  | Matte Black                   | 36 805 661-33 |
|  | Chrome                        | 36 805 661-00 |
|  | Brushed Platinum              | 36 805 661-06 |
|  | Dark Chrome                   | 36 805 661-19 |
|  | Light Gold                    | 36 805 661-26 |
|  | Brushed Light Gold            | 36 805 661-27 |
|  | Brushed Bronze                | 36 805 661-42 |
|  | Brushed Champagne (22kt Gold) | 36 805 661-46 |
|  | Champagne (22kt Gold)         | 36 805 661-47 |
|  | Brushed Chrome                | 36 805 661-93 |
|  | Brushed Dark Platinum         | 36 805 661-99 |

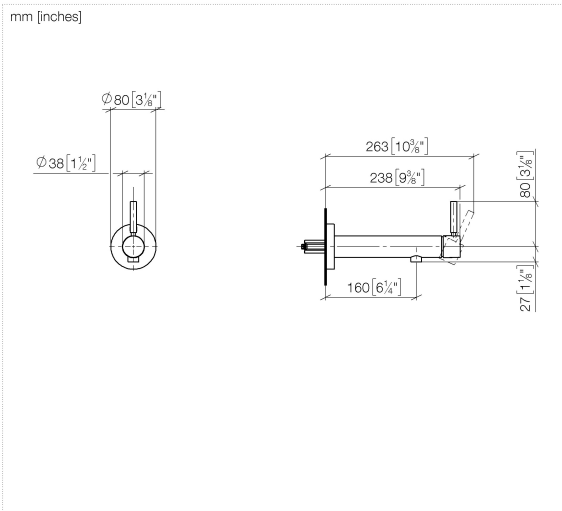
**Required miscellaneous**

- Concealed wall mounting -** 35 050 970 90
- min. recess depth 80 mm
  - max. recess depth 105 mm

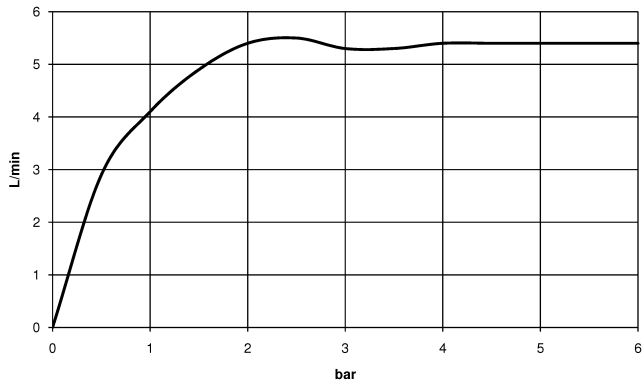


36 805 661

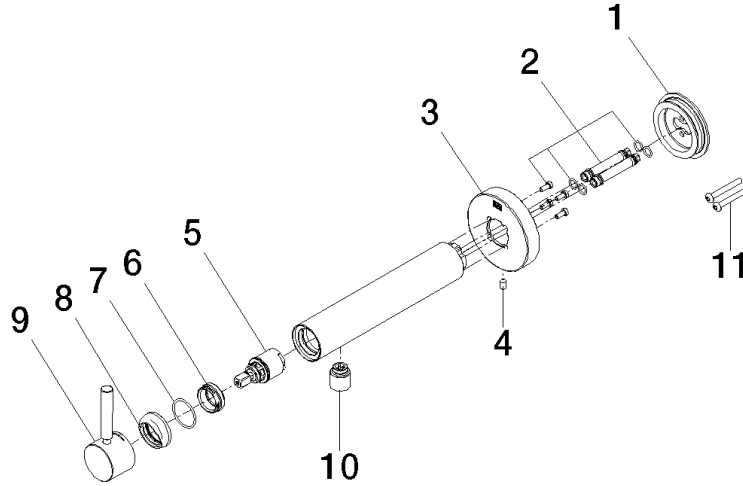
mm [inches]



**Flow rate chart**



36 805 661



**Spare parts list**

| No.  | Item Number        | Name       | Quantity used | Delivery time |
|--|--------------------|------------|---------------|---------------|
| 1  | 90 30 11 232 00 90 | disc       | 1             | 10            |
| 2  | 90 24 01 046 01 90 | connection | 2             | 10            |
| 3  | 90 27 66 026 00-33 | rosette    | 1             | -             |
| Spare part can no longer be ordered, please order the replacement item |                    |            |               |               |
| 4  | 09 31 11 144 90    | pin        | 1             | 2             |
| 5  | 90 15 05 044 00 90 | cartridge  | 1             | 2             |
| 6  | 09 24 04 266 90    | nut        | 1             | 2             |
| 7  | 09 14 10 120 90    | seal       | 1             | 2             |
| 8  | 09 28 30 043-33    | cover      | 1             | 30            |
| 9  | 90 20 66 024 00-33 | handle     | 1             | 30            |
| 10   | 90 23 01 168 00-33 | aerator    | 1             | 30            |
| 11   | 90 30 30 229 00 90 | screw      | 2             | 10            |