




**EDITION PRO Wall-mounted single-lever basin mixer without pop-up waste -  
Brushed Chrome**

---

36 812 626



- 200mm projection
- fixed spout
- circular, air-enriched flow
- hole diameter spout 37 mm
- hole diameter single-lever mixer 57 mm
- rosette for spout Ø 55mm
- rosette for mixer Ø 78mm
- max. flow 7 l/min
- lead-free
- WRAS

	Brushed Chrome	36 812 626-93
	Chrome	36 812 626-00
	Matte Black	36 812 626-33

**Required miscellaneous**

---



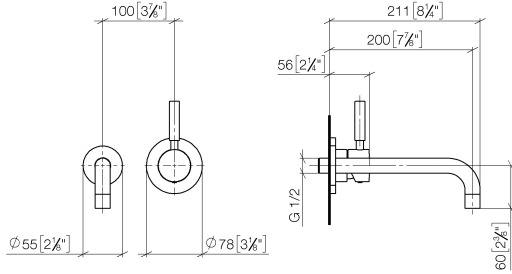
**EDITION PRO Concealed wall-mounted single-lever mixer mixer on right -** 35 870 970 90

- max. recess depth mm
- min. recess depth mm

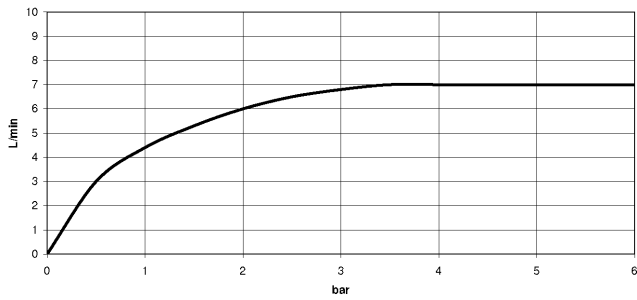


## EDITION PRO Wall-mounted single-lever basin mixer without pop-up waste - Brushed Chrome

36 812 626  
mm [inches]



### Flow rate chart



### Codes & Standards

DIN 4109

ISO 3822

Scottish Water  
Byelaws

UK Water Supply  
Regulations

Ü-Zeichen



EDITION PRO Wall-mounted single-lever basin mixer without pop-up waste -  
Brushed Chrome

---

36 812 626

Certificates

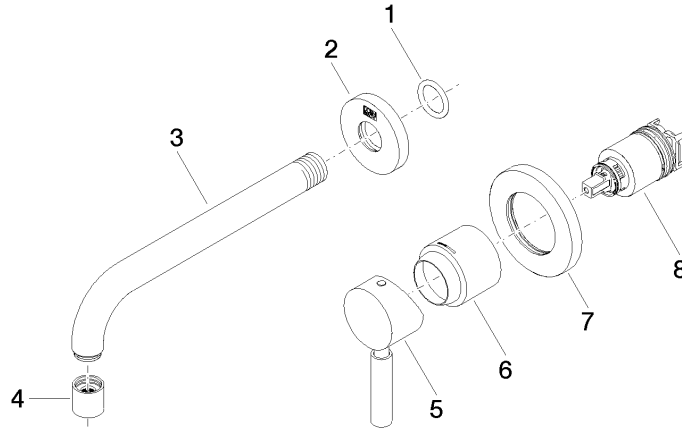
---

WRAS\_2107

LGA\_9

**EDITION PRO Wall-mounted single-lever basin mixer without pop-up waste -  
Brushed Chrome**

36 812 626



**Spare parts list**

No.	Item Number	Name	Quantity used	Delivery time
1	90 14 10 026 00 90	seal	1	2
2	09 27 22 503-93	rosette	1	20
3	04 28 22 116 10-93	spout	1	20
4	90 23 01 019 00-93	aerator	1	20
5	90 20 62 040 00-93	handle	1	20
6	09 11 02 522-93	cover	1	60
7	90 27 62 011 00-93	rosette	1	20
8	90 15 05 064 01 90	cartridge	1	2