

36 860 782



- 177mm projection
- fixed spout
- rectangular, air-enriched flow
- hole diameter spout 37 mm
- hole diameter single-lever mixer 57 mm
- rosette for spout 80 x 60mm
- rosette for mixer 80 x 80mm
- max. flow 5.7 l/min
- lead-free
- This product can help a building meet the requirements of Green Building Rating Systems, e.g. LEED®, BREEAM®, DGNB
- WRAS 2107018

	Platinum	36 860 782-08
	Chrome	36 860 782-00
	Brushed Platinum	36 860 782-06
	Dark Chrome	36 860 782-19
	Brushed Durabronze (23kt Gold)	36 860 782-28
	Brushed Champagne (22kt Gold)	36 860 782-46
	Champagne (22kt Gold)	36 860 782-47
	Brushed Dark Platinum	36 860 782-99

Required miscellaneous



Concealed wall-mounted single-lever mixer mixer on right - 35 816 970 90
 •NOTE:Not suitable for concealed installation.Connection by means of angle valves, mounted with screws to back wall.

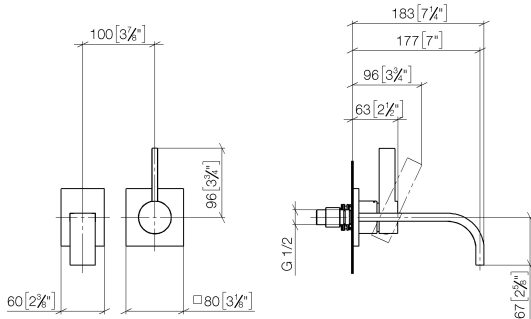
Required miscellaneous



Concealed wall-mounted single-lever mixer - 35 860 970 90
 •max. recess depth 95 mm
 •min. recess depth 80 mm

36 860 782

mm [inches]



Flow rate chart



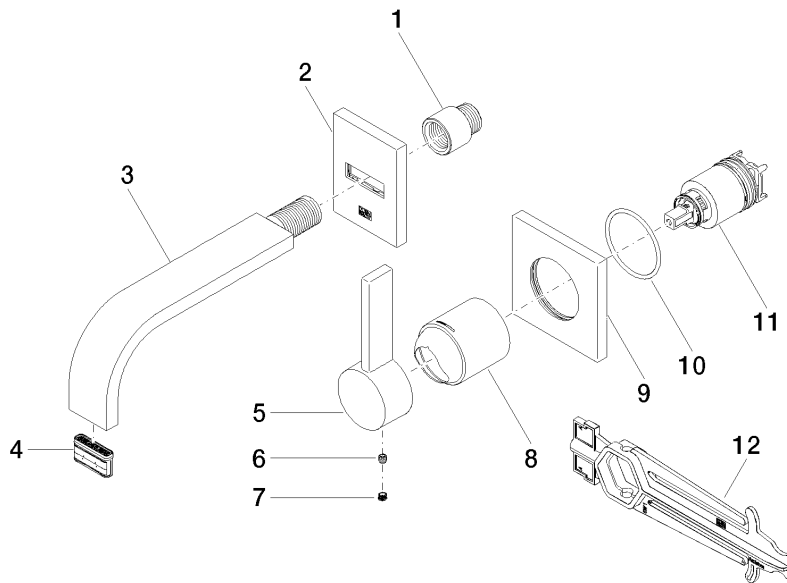
Certificates

LGA_29907.

DVGW_DW-
6512DN0435.

WRAS_2107018.

36 860 782



Spare parts list

No.	Item Number	Name	Quantity used	Delivery time
1	09 24 03 072 10 90	nipple	1	2
2	90 27 78 038 00-08	rosette	1	40
3	04 28 22 150 10-08	spout	1	40
4	90 29 03 109 00 90	aerator	1	2
5	09 20 78 058-08	handle	1	40
6	90 31 11 030 00 90	pin	1	2
7	90 31 20 109 00 90	plug	1	2
8	09 11 02 288-08	cover	1	40
9	09 27 78 039-08	rosette	1	40
10	90 14 10 049 00 90	seal	1	2
11	90 15 05 064 01 90	cartridge	1	2
12	90 30 09 064 00 90	key	1	2