

MEM Wall-mounted single-lever basin mixer without pop-up waste - Dark Chrome

MEM

36 867 782



- 125mm projection
- fixed spout
- rectangular, air-enriched flow
- hole diameter spout 35 mm
- hole diameter single-lever mixer 57 mm
- rosette for spout 80 x 60mm
- rosette for mixer 80 x 80mm
- max. flow 5.7 l/min
- lead-free
- This product can help a building meet the requirements of Green Building Rating Systems, e.g. LEED®, BREEAM®, DGNB
- WRAS 2107018

| | | |
|--|--------------------------------|---------------|
|  | Dark Chrome | 36 867 782-19 |
|  | Chrome | 36 867 782-00 |
|  | Brushed Platinum | 36 867 782-06 |
|  | Platinum | 36 867 782-08 |
|  | Brushed Durabronze (23kt Gold) | 36 867 782-28 |
| | | 36 867 782-39 |
|  | Brushed Bronze | 36 867 782-42 |
| | | 36 867 782-43 |
|  | Brushed Champagne (22kt Gold) | 36 867 782-46 |
|  | Champagne (22kt Gold) | 36 867 782-47 |
|  | Brushed Dark Platinum | 36 867 782-99 |

Required miscellaneous



Concealed wall-mounted single-lever mixer mixer on right - 35 816 970 90
 ●NOTE:Not suitable for concealed installation.Connection by means of angle valves, mounted with screws to back wall.

Required miscellaneous

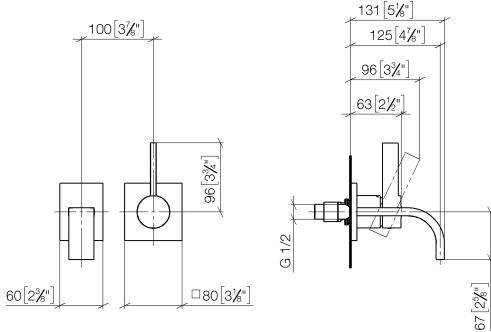


Concealed wall-mounted single-lever mixer - 35 860 970 90
 ●max. recess depth 95 mm
 ●min. recess depth 75 mm

MEM Wall-mounted single-lever basin mixer without pop-up waste - Dark Chrome

MEM

36 867 782
mm [inches]



Flow rate chart



Codes & Standards

DIN 4109

ISO 3822

Scottish Water
Byelaws

UK Water Supply
Regulations

Ü-Zeichen



MEM Wall-mounted single-lever basin mixer without pop-up waste - Dark
Chrome

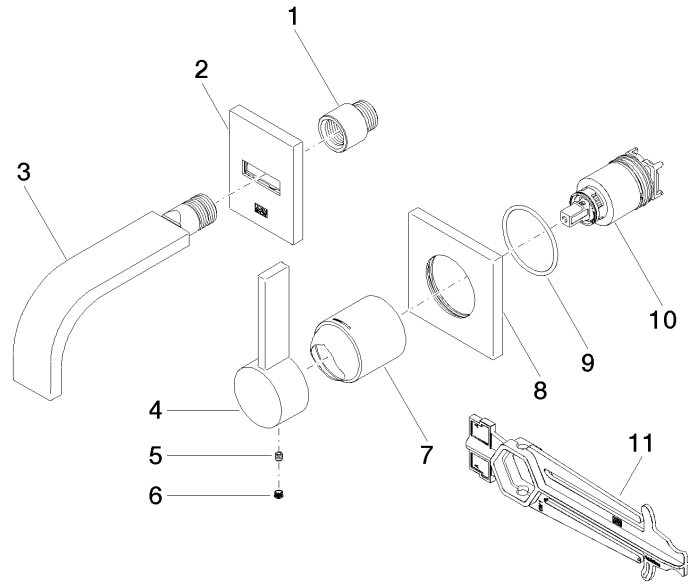
MEM

36 867 782
Certificates

LGA_38

WRAS_2107

36 867 782





MEM Wall-mounted single-lever basin mixer without pop-up waste - Dark Chrome

MEM

36 867 782

Spare parts list

| No. | Item Number | Name | Quantity used | Delivery time |
|-----|--------------------|--------|---------------|---------------|
| | 09 24 03 072 10 90 | nipple | 11 | 2 |