

36 867 782



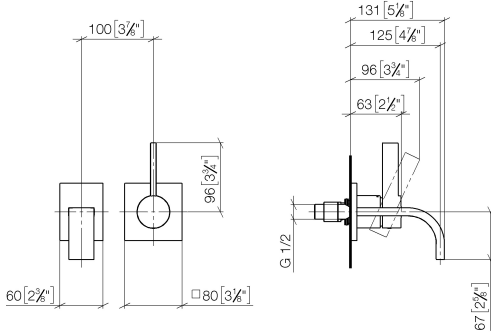
- 125mm projection
- fixed spout
- rectangular, air-enriched flow
- hole diameter spout 35 mm
- hole diameter single-lever mixer 57 mm
- rosette for spout 80 x 60mm
- rosette for mixer 80 x 80mm
- max. flow 5.7 l/min
- lead-free
- This product can help a building meet the requirements of Green Building Rating Systems, e.g. LEED®, BREEAM®, DGNB
- WRAS 2107018

36 867 782-39

	Chrome	36 867 782-00
	Brushed Platinum	36 867 782-06
	Platinum	36 867 782-08
	Dark Chrome	36 867 782-19
	Brushed Durabronze (23kt Gold)	36 867 782-28
	Brushed Bronze	36 867 782-42
		36 867 782-43
	Brushed Champagne (22kt Gold)	36 867 782-46
	Champagne (22kt Gold)	36 867 782-47
	Brushed Dark Platinum	36 867 782-99

36 867 782

mm [inches]



Flow rate chart



Codes & Standards

DIN 4109

ISO 3822

Scottish Water
Byelaws

UK Water Supply
Regulations

Ü-Zeichen



MEM Wall-mounted single-lever basin mixer without pop-up waste -

MEM

36 867 782

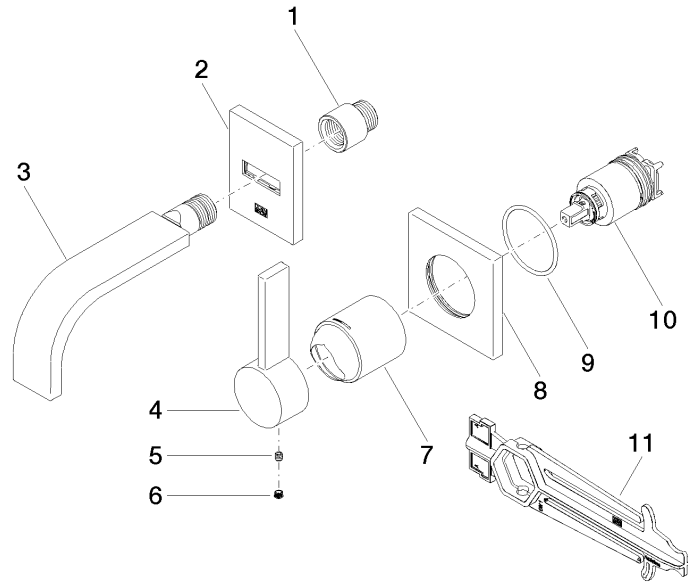
Certificates

LGA_38

WRAS_2107

36 867 782

Parts for other finishes can be found here: [Chrome](#)





MEM Wall-mounted single-lever basin mixer without pop-up waste -

MEM

36 867 782

Spare parts list