

42 765 970 90



Fits: IMO, LULU, MADISON, MEM, TARA, CL.1, LISSÉ, VAIA, META, CYO

- automatic hygiene flush
- suitable for thermal disinfection
- adjustable follow-up time
- high-frequency sensors with self-calibration
- magnetic valve
- temperature setting via thermostat
- 100-240 V AC / 12 V DC, 50-60 Hz, 18 W power supply unit, incl. country-specific adapter set
- WRAS 1906116

**Cannot be combined with basins in conducting materials (e.g. steel, river stone).**

**Cannot be combined with basins that have a closing drain.**

**ATTENTION: Separate terms and conditions for electronic articles are applicable.**

Cannot be combined with basins in conducting materials (e.g. steel, river stone).

Cannot be combined with basins that have a closing drain.

ATTENTION: Separate terms and conditions for electronic articles are applicable.

**Required miscellaneous**



**eSET Touchfree Basin mixer with temperature setting for combining with free-standing fittings -** 35 740 970 90

**Required miscellaneous**



**eSET Touchfree Basin mixer with temperature setting for combining with wall-mounted fittings -** 35 741 970 90

- max. recess depth 125 mm
- min. recess depth 90 mm

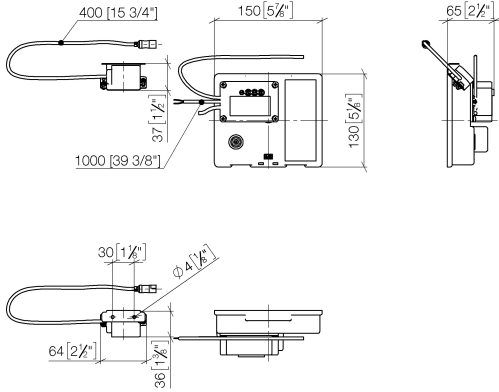
**Recommended miscellaneous**

**Extension for Touchfree 500 mm -** 12 765 970 90



42 765 970 90

mm [inches]



**Codes & Standards**

CSA C22.2 No. 14	CSA C22.2 No. 68	DIN 4109	ISO 3822
Scottish Water Byelaws	UK Water Supply Regulations	UL 1951	Ü-Zeichen

**Certificates**

IAPMO_	CE000002_eSet_Tou chfree_20171206_E N_sig	WRAS_1906	LGA_29	LGA_29
CE000001_eSet_Tou chfree_20171206_D E_sig				

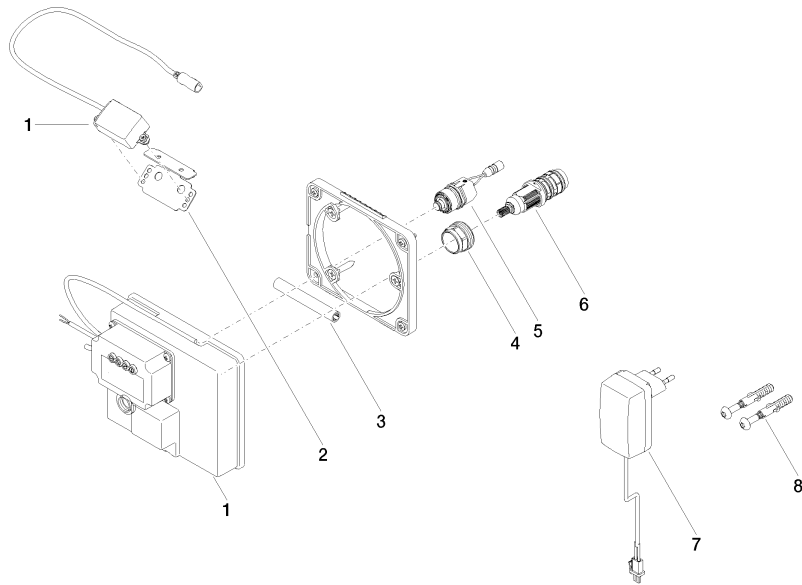
42 765 970 90

Product version from 3/12/2018 to 4/29/2019

Product version from 4/29/2019 to 5/18/2021

Product version from 5/18/2021 to 6/30/2022

**Product version from 5/19/2021**





## eSET Touchfree Basin mixer with temperature setting -

IMO

42 765 970 90

### Spare parts list

Product version from 3/12/2018 to 4/29/2019

Product version from 4/29/2019 to 5/18/2021

Product version from 5/18/2021 to 6/30/2022

### **Product version from 5/19/2021**

No.	Item Number	Name	Quantity used	Delivery time
	90 10 01 177 00 90	electronic accessories	8	2