


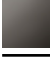



83 030 670

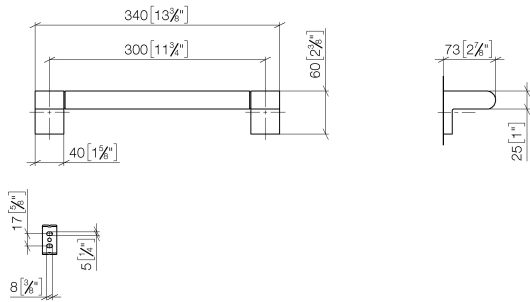


- gauge 300 mm
- width 340mm
- height 60 mm
- 73mm projection

|   |                  |               |
|---|------------------|---------------|
|  | Brushed Chrome   | 83 030 670-93 |
|  | Chrome           | 83 030 670-00 |
|  | Brushed Platinum | 83 030 670-06 |
|  | Dark Chrome      | 83 030 670-19 |
|  | Matte Black      | 83 030 670-33 |

83 030 670

mm [inches]



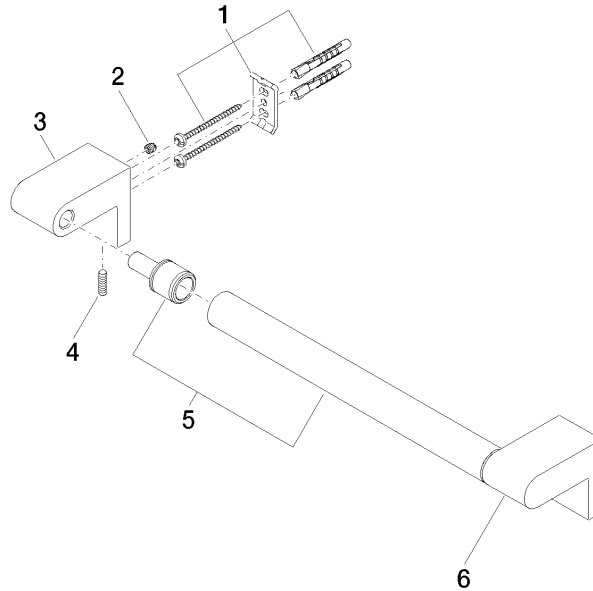
### Certificates

TÜV\_B0358530023\_ TÜV\_B0358530023\_

Dt. EN.

83 030 670

Parts for other finishes can be found here: [Chrome](#)



### Spare parts list

| No. | Item Number        | Name       | Quantity used | Delivery time |
|-----|--------------------|------------|---------------|---------------|
| 1   | 05 17 20 736 00 90 | fixing set | 2             | 2             |
| 2   | 09 31 11 049 90    | pin        | 2             | 2             |
| 3   | 08 17 67 500-93    | holder     | 1             | 20            |
| 4   | 04 31 11 113 00 90 | pin        | 2             | 2             |
| 5   | 90 28 22 580 00-93 | holder     | 1             | 20            |
| 6   | 08 17 67 501-93    | holder     | 1             | 20            |