

Tissue holder without cover - Dark Chrome

MEM

83 500 780

- width 140mm
- height 35 mm
- 85mm projection

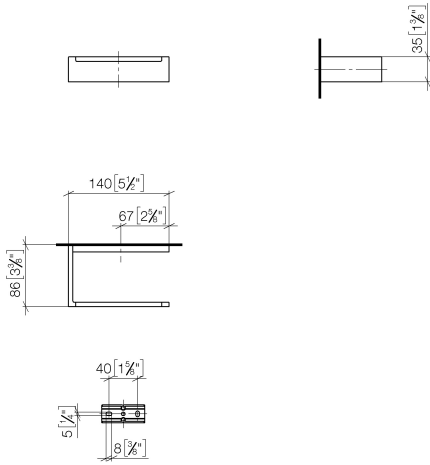


Fits: MEM, CYO

	Dark Chrome	83 500 780-19
	Chrome	83 500 780-00
	Brushed Platinum	83 500 780-06
	Platinum	83 500 780-08
	Brushed Durabronze (23kt Gold)	83 500 780-28
	Brushed Champagne (22kt Gold)	83 500 780-46
	Champagne (22kt Gold)	83 500 780-47
	Brushed Dark Platinum	83 500 780-99

83 500 780

mm [inches]



83 500 780

Parts for other  
finishes can be found  
here: [Chrome](#)

