

Tissue holder without cover - Brushed Durabronz (23kt Gold)

MEM

83 500 780

- width 140mm
- height 35 mm
- 85mm projection

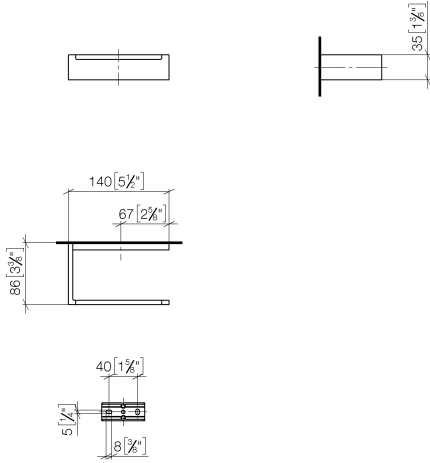


Fits: MEM, CYO

|   |                               |               |
|---|-------------------------------|---------------|
|  | Brushed Durabronz (23kt Gold) | 83 500 780-28 |
|  | Chrome                        | 83 500 780-00 |
|  | Brushed Platinum              | 83 500 780-06 |
|  | Platinum                      | 83 500 780-08 |
|  | Dark Chrome                   | 83 500 780-19 |
|  | Brushed Champagne (22kt Gold) | 83 500 780-46 |
|  | Champagne (22kt Gold)         | 83 500 780-47 |
|  | Brushed Dark Platinum         | 83 500 780-99 |

83 500 780

mm [inches]



83 500 780

Parts for other finishes can be found here: [Chrome](#)



### Spare parts list

| No. | Item Number        | Name       | Quantity used | Delivery time |
|-----|--------------------|------------|---------------|---------------|
| 1   | 05 17 20 718 00 90 | fixing set | 1             | 2             |
| 2   | 90 31 11 112 00 90 | pin        | 1             | 2             |