

Tissue holder with cover - Champagne (22kt Gold)

LISSÉ

83 510 979



- width 150mm
- height 95 mm
- rosette Ø 40 mm
- 40mm projection

Fits: LISSÉ, META

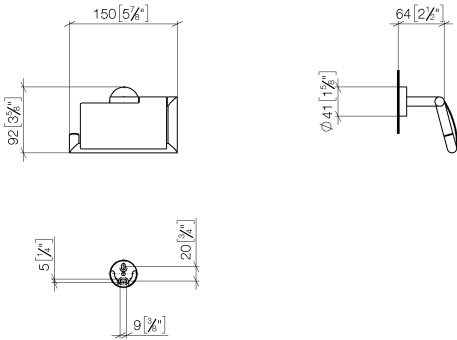
| | | |
|--|-------------------------------|---------------|
|  | Champagne (22kt Gold) | 83 510 979-47 |
|  | Chrome | 83 510 979-00 |
|  | Brushed Platinum | 83 510 979-06 |
|  | Dark Chrome | 83 510 979-19 |
|  | Light Gold | 83 510 979-26 |
|  | Brushed Light Gold | 83 510 979-27 |
|  | Matte Black | 83 510 979-33 |
|  | Brushed Bronze | 83 510 979-42 |
|  | Brushed Champagne (22kt Gold) | 83 510 979-46 |
|  | Brushed Chrome | 83 510 979-93 |
|  | Brushed Dark Platinum | 83 510 979-99 |

Tissue holder with cover - Champagne (22kt Gold)

LISSÉ

83 510 979

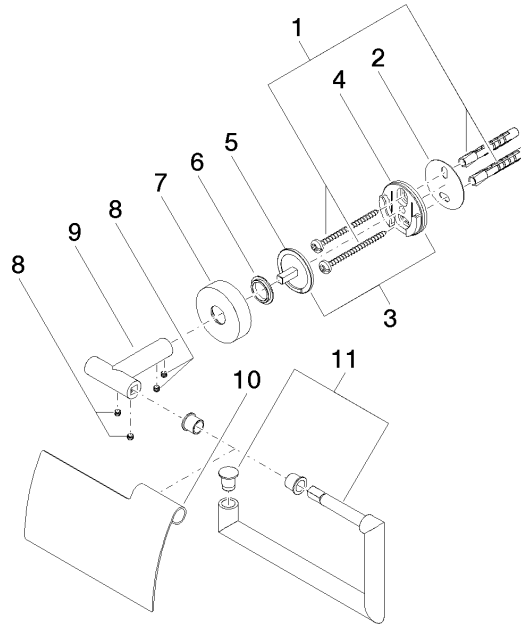
mm [inches]



83 510 979

Product version from 7/1/2023

Parts for other finishes can be found here: [Chrome](#)





Tissue holder with cover - Champagne (22kt Gold)

LISSE

83 510 979

Spare parts list

Product version from 7/1/2023

| No. | Item Number | Name | Quantity used | Delivery time |
|-----|--------------------|------------|---------------|---------------|
| | 05 30 31 025 00 90 | fixing set | 14 | 2 |