

13 800 710



- 200mm projection
- fixed spout
- circular, air-enriched flow
- hole diameter 40 mm
- 1/2" connection
- plug-link mounting
- max. flow 7 l/min
- lead-free
- This product can help a building meet the requirements of Green Building Rating Systems, e.g. LEED®, BREEAM®, DGNB
- WRAS 1906062

For Touchfree control please order eSet Touchfree WITH or WITHOUT temperature adjustment

Recommended miscellaneous



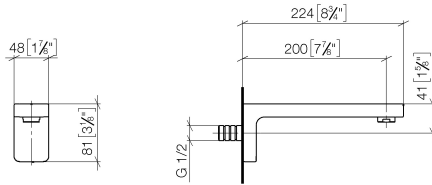
Concealed wall elbow -

35 085 970 90

- max. recess depth 163 mm
- min. recess depth 90 mm

13 800 710

mm [inches]



Flow rate chart



Codes & Standards

DIN 4109

ISO 3822

Scottish Water
Byelaws

UK Water Supply
Regulations

Ü-Zeichen



LULU Wall-mounted basin spout without pop-up waste - Chrome

LULU

13 800 710

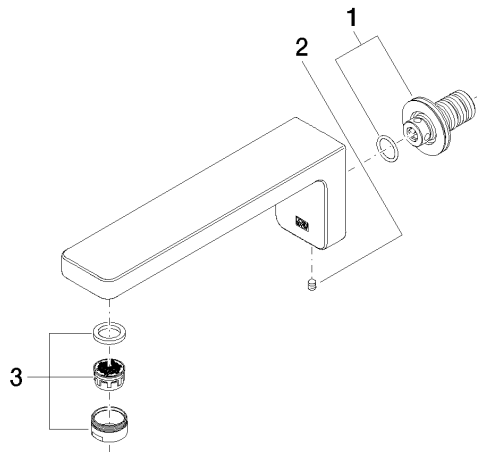
Certificates

WRAS_1906

LGA_29

13 800 710

Product version from 3/13/2017





LULU Wall-mounted basin spout without pop-up waste - Chrome

LULU

13 800 710

Spare parts list

Product version from 3/13/2017

No.	Item Number	Name	Quantity used	Delivery time
	90 24 03 108 00 90	nipple set	3	2