

# META SQUARE HOT & COLD WATER DISPENSER - Brushed Champagne (22kt Gold)

META SQUARE

17 861 625



- 145mm projection
  - rigid, thermally insulated spout
  - laminar flow
  - height of mixer 249 mm
  - height up to laminar flow regulator 184 mm
  - hole diameter 35 mm
  - provides filtered, hot water up to 93°C
  - provides filtered, cold water
  - max. flow 2 l/min at 3 bar flow pressure
  - ready-to-use control unit for wall mounting (137mm x 159mm x 60mm)
  - electronic magnetic valve
  - 100-230 V, 50-60 Hz, 18 W power supply unit, incl. country-specific adapter set
  - lead-free
  - Spout ring cannot be removed.
  - This product can help a building meet the requirements of Green Building Rating Systems, e.g. LEED®, BREEAM®, DGNB
- A minimum flow pressure of 3 bar is necessary for the HOT & COLD WATER DISPENSER to work perfectly in conjunction with a hot water tank and filter.**
- In addition, the installation must be above a kitchen sink.**
- The filter cartridge must be changed every six months. The installation instructions contain further information for guidance.**
- Detailed planning information and technical data can be found at [www.dornbracht.com/professional](http://www.dornbracht.com/professional)**

A minimum flow pressure of 3 bar is necessary for the HOT & COLD WATER DISPENSER to work perfectly in conjunction with a hot water tank and filter.

In addition, the installation must be above a kitchen sink.

The filter cartridge must be changed every six months. The installation instructions contain further information for guidance.

Detailed planning information and technical data can be found at [www.dornbracht.com/professional](http://www.dornbracht.com/professional)

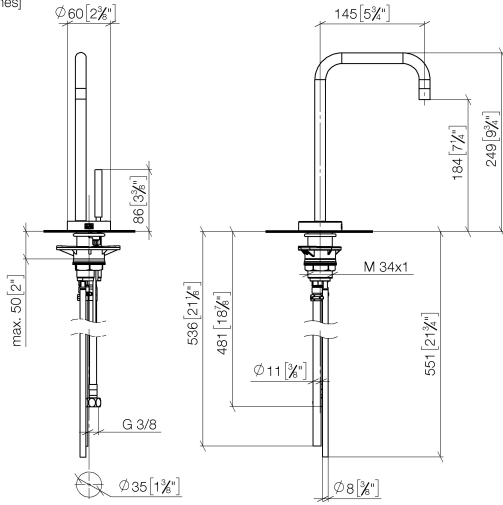
	Brushed Champagne (22kt Gold)	17 861 625-46
	Chrome	17 861 625-00
	Brushed Platinum	17 861 625-06
	Platinum	17 861 625-08
	Durabrand (23kt Gold)	17 861 625-09
	Dark Chrome	17 861 625-19
	Brushed Durabrand (23kt Gold)	17 861 625-28
	Matte Black	17 861 625-33
	Champagne (22kt Gold)	17 861 625-47
	Brushed Chrome	17 861 625-93
	Brushed Dark Platinum	17 861 625-99

## Required miscellaneous

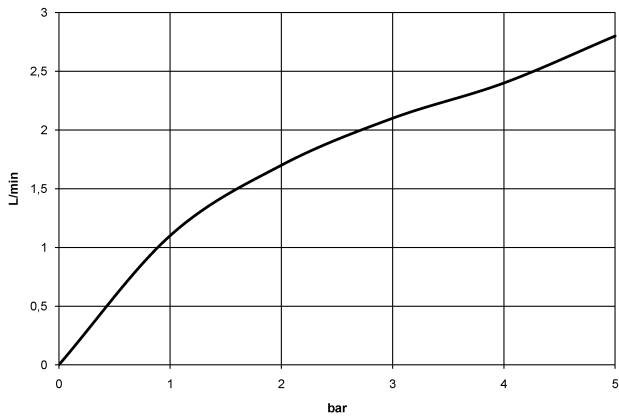


Hot water tank incl. filter - 12 892 970 90

17 861 625  
mm [inches]



**Flow rate chart**



**Codes & Standards**

Executive Order  
no. 1007

NSF372

NSF61



**META SQUARE HOT & COLD WATER DISPENSER - Brushed Champagne  
(22kt Gold)**

META SQUARE

---

17 861 625

Certificates

---

GDV\_0400

IAPMO\_N-4

IAPMO\_6

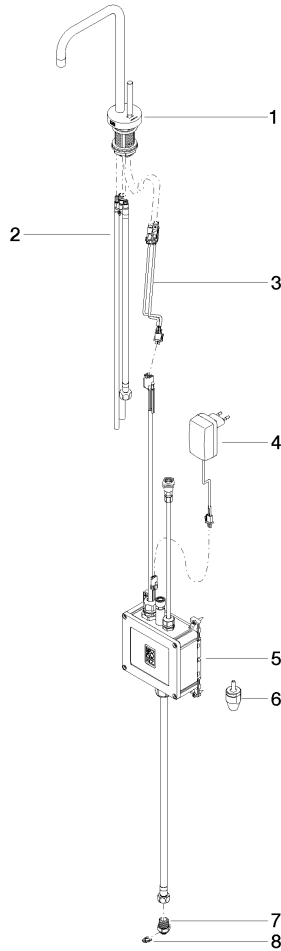


# META SQUARE HOT & COLD WATER DISPENSER - Brushed Champagne (22kt Gold)

META SQUARE

17 861 625

**Product version from 5/28/2022**





META SQUARE HOT & COLD WATER DISPENSER - Brushed Champagne  
(22kt Gold)

META SQUARE

---

17 861 625

## **Spare parts list**

**Product version from 5/28/2022**