

# LOT HOT & COLD WATER DISPENSER - Chrome

17 871 680 Product version from 3/1/2025



- 145mm projection
- fixed spout
- laminar flow
- height of mixer 232 mm
- height up to laminar flow regulator 212 mm
- hole diameter 35 mm
- provides filtered, hot water up to 93°C
- Provides filtered water
- max. flow 3.8 l/min at 3 bar flow pressure
- mechanical valve
- lead-free
- lever

• This product can help a building meet the requirements of Green Building Rating Systems, e.g. LEED®, BREEAM®, DGNB

**A minimum flow pressure of 3 bar is necessary for the HOT & COLD WATER DISPENSER to work perfectly in conjunction with a hot water tank and filter.**

**The installation must be above a kitchen sink.**

**The filter cartridge must be changed every six months. The installation instructions contain further information for guidance.**

**Detailed planning information and technical data can be found at [www.dornbracht.com/professional](http://www.dornbracht.com/professional)**

A minimum flow pressure of 3 bar is necessary for the HOT & COLD WATER DISPENSER to work perfectly in conjunction with a hot water tank and filter.

The installation must be above a kitchen sink.

The filter cartridge must be changed every six months. The installation instructions contain further information for guidance.

Detailed planning information and technical data can be found at [www.dornbracht.com/professional](http://www.dornbracht.com/professional)

|  |                               |               |
|--|-------------------------------|---------------|
|  | Chrome                        | 17 871 680-00 |
|  | Brushed Platinum              | 17 871 680-06 |
|  | Platinum                      | 17 871 680-08 |
|  | Dark Chrome                   | 17 871 680-19 |
|  | Brushed Durabross (23kt Gold) | 17 871 680-28 |
|  | Brushed Champagne (22kt Gold) | 17 871 680-46 |
|  | Champagne (22kt Gold)         | 17 871 680-47 |
|  | Brushed Dark Platinum         | 17 871 680-99 |

## Required miscellaneous



**Hot water tank incl. filter - 12 892 970 90**

## Required miscellaneous

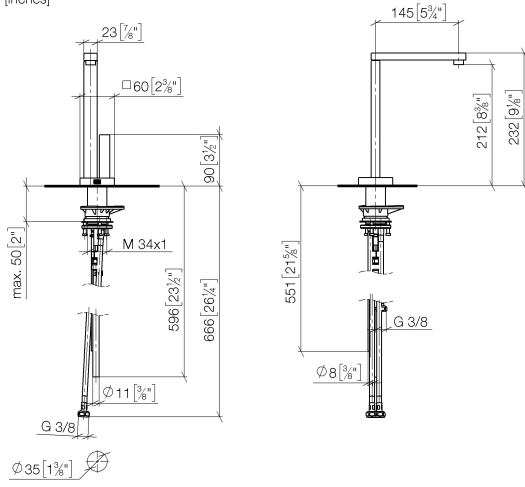


**Hose set 12 530 970 90**

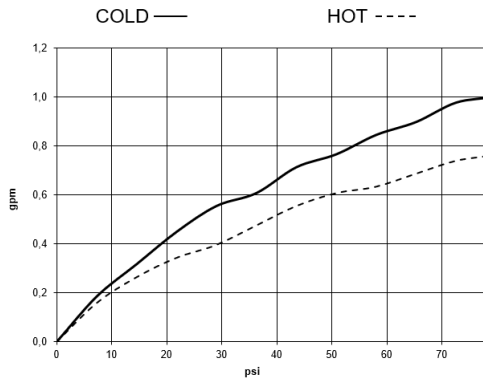
**LOT HOT & COLD WATER DISPENSER - Chrome**

17 871 680 Product version from 3/1/2025

mm [inches]

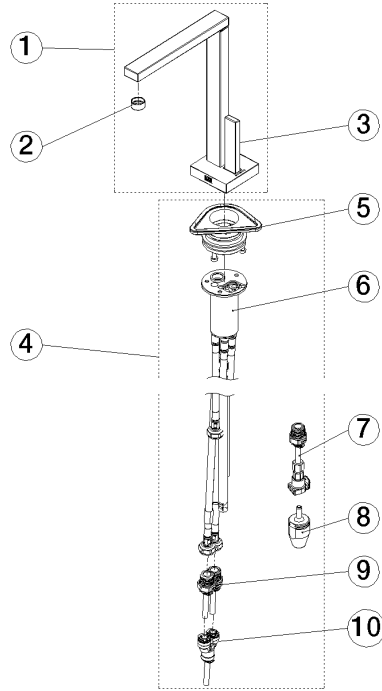


**Flow rate chart**



**LOT HOT & COLD WATER DISPENSER - Chrome**

17 871 680 Product version from 3/1/2025



**Spare parts list**

| No.  | Item Number        | Name  | Quantity used | Delivery time |
|--|--------------------|-------|---------------|---------------|
| 1  | 90 17 87 168 00-00 | spout | 1             | -             |
| Spare part can no longer be ordered, please order the replacement item |                    |       |               |               |
| 2  | 90 17 87 179 00 90 | set   | 1             | -             |
| Spare part can no longer be ordered, please order the replacement item |                    |       |               |               |