

TARA ULTRA HOT & COLD WATER DISPENSER - Brushed Durabronze (23kt Gold)

17 871 875 Product version from 3/1/2025



- 146mm projection
- pivotable spout 360°
- laminar flow
- height of mixer 289 mm
- height up to laminar flow regulator 180 mm
- hole diameter 35 mm
- provides filtered, hot water up to 93°C
- Provides filtered water
- max. flow 3.8 l/min at 3 bar flow pressure
- mechanical valve
- lead-free
- lever

• This product can help a building meet the requirements of Green Building Rating Systems, e.g. LEED®, BREEAM®, DGNB

A minimum flow pressure of 3 bar is necessary for the HOT & COLD WATER DISPENSER to work perfectly in conjunction with a hot water tank and filter.

The installation must be above a kitchen sink.

The filter cartridge must be changed every six months. The installation instructions contain further information for guidance. Detailed planning information and technical data can be found at www.dornbracht.com/professional

A minimum flow pressure of 3 bar is necessary for the HOT & COLD WATER DISPENSER to work perfectly in conjunction with a hot water tank and filter.

The installation must be above a kitchen sink.

The filter cartridge must be changed every six months. The installation instructions contain further information for guidance.

Detailed planning information and technical data can be found at www.dornbracht.com/professional

	Brushed Durabronze (23kt Gold)	17 871 875-28
	Chrome	17 871 875-00
	Brushed Platinum	17 871 875-06
	Platinum	17 871 875-08
	Durabronze (23kt Gold)	17 871 875-09
	Dark Chrome	17 871 875-19
	Matte Black	17 871 875-33
	Brushed Bronze	17 871 875-42
	Brushed Champagne (22kt Gold)	17 871 875-46
	Champagne (22kt Gold)	17 871 875-47
	Brushed Chrome	17 871 875-93
	Brushed Dark Platinum	17 871 875-99

Required miscellaneous



Hot water tank incl. filter - 12 892 970 90

Required miscellaneous



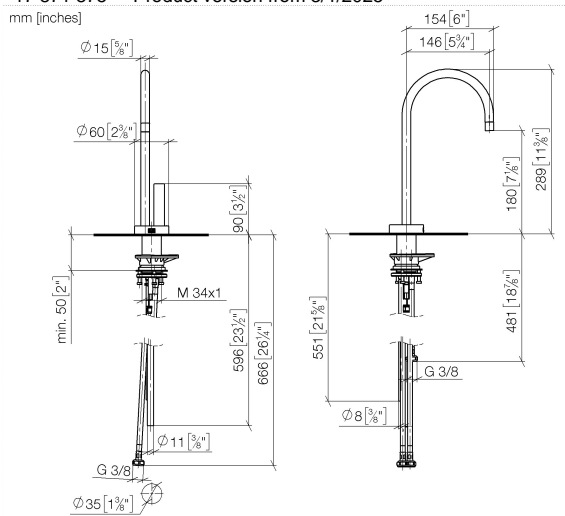
Hose set 12 530 970 90



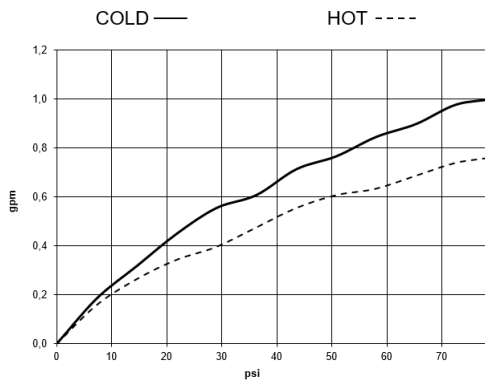
TARA ULTRA HOT & COLD WATER DISPENSER - Brushed Durabronz (23kt Gold)

17 871 875 Product version from 3/1/2025

mm [inches]

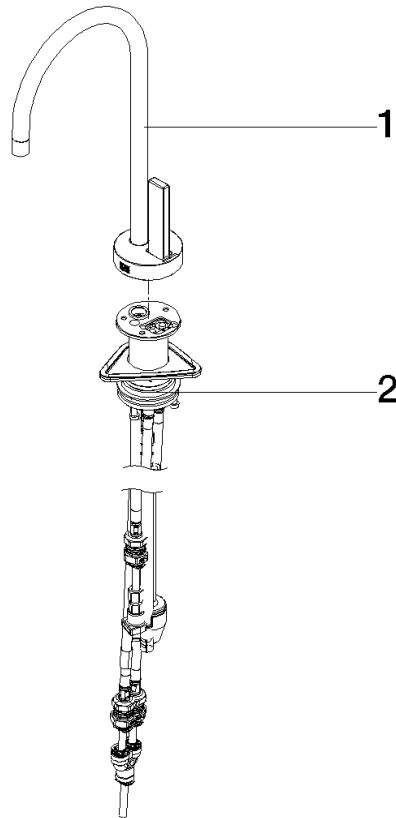


Flow rate chart



TARA ULTRA HOT & COLD WATER DISPENSER - Brushed Durabronz (23kt Gold)

17 871 875 Product version from 3/1/2025



Spare parts list

No.	Item Number	Name	Quantity used	Delivery time
1	90 17 87 187 50-28	spout	1	-
Spare part can no longer be ordered, please order the replacement item				
2	90 17 87 179 00 90	set	1	-
Spare part can no longer be ordered, please order the replacement item				