

VAIA Three-hole basin mixer with pop-up waste - Platinum

VAIA

20 713 819



- 168mm projection
- pivotable spout 360°
- circular, air-enriched flow
- height of mixer 280 mm
- height up to aerator 191 mm
- hole diameter valve 32 mm
- hole diameter spout 35 mm
- rosette Ø 60 mm
- max. flow 5.7 l/min
- lead-free
- This product can help a building meet the requirements of Green Building Rating Systems, e.g. LEED®, BREEAM®, DGNB
- WRAS 2312068

Only suitable for basins with an overflow.

| | | |
|--|--------------------------------|---------------|
|  | Platinum | 20 713 819-08 |
|  | Chrome | 20 713 819-00 |
|  | Brushed Platinum | 20 713 819-06 |
|  | Dark Chrome | 20 713 819-19 |
|  | Brushed Durabronze (23kt Gold) | 20 713 819-28 |
|  | Brushed Bronze | 20 713 819-42 |
|  | Brushed Champagne (22kt Gold) | 20 713 819-46 |
|  | Champagne (22kt Gold) | 20 713 819-47 |
|  | Brushed Dark Platinum | 20 713 819-99 |

Recommended miscellaneous

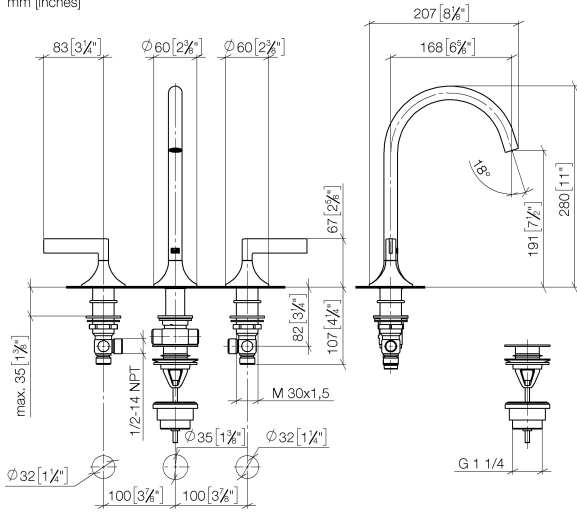


High pressure hoses -
 ● 2x 3/8" x 1/2" x 500mm high pressure hose

12 506 970 90

20 713 819

mm [inches]



Flow rate chart



Codes & Standards

| | | | |
|--------------------------------|-----------------------------|-------------|---------------------------|
| DIN 4109 | Executive Order no. 1007 | ISO 3822 | Scottish Water Byelaws |
| UK Water Supply Regulations | Ü-Zeichen | XP P 41-280 | |



VAIA Three-hole basin mixer with pop-up waste - Platinum

VAIA

20 713 819

Certificates

GDV_0400

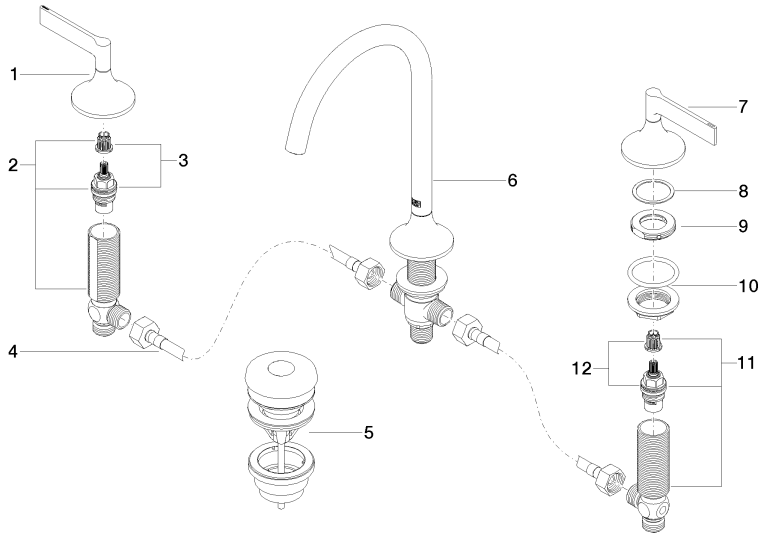
LGA_29

WRAS_2312

ACS_20 ACC LY

20 713 819

Product version from 3/13/2017





VAIA Three-hole basin mixer with pop-up waste - Platinum

VAIA

20 713 819

Spare parts list

Product version from 3/13/2017

| No. | Item Number | Name | Quantity used | Delivery time |
|-----|--------------------|----------------|---------------|---------------|
| | 90 20 80 013 00-08 | handle (hot) | 15 | 40 |