

20 713 882

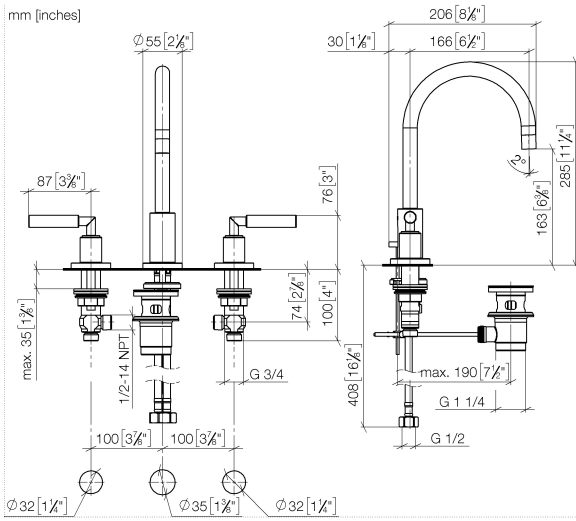


- 165mm projection
- pivotable spout 360°
- circular, air-enriched flow
- height of mixer 285 mm
- height up to aerator 163 mm
- hole diameter valve 32 mm
- hole diameter spout 35 mm
- rosette Ø 55 mm
- 2x screw-in M 10 x 1 pressure hose, leak-tested
- max. flow 7 l/min
- lead-free
- WRAS 2212026
- This product can help a building meet the requirements of Green Building Rating Systems, e.g. LEED®, BREEAM®, DGNB

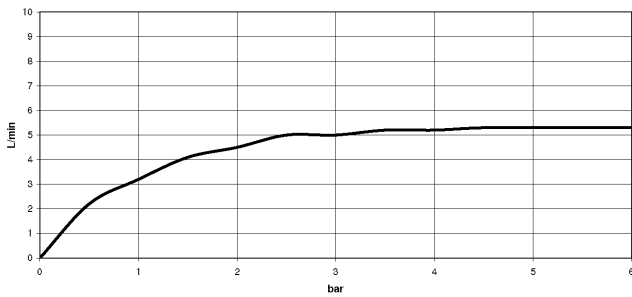
Only suitable for basins with an overflow.

	Brushed Bronze	20 713 882-42
	Chrome	20 713 882-00
	Brushed Platinum	20 713 882-06
	Platinum	20 713 882-08
	Dark Chrome	20 713 882-19
	Brushed Durabronze (23kt Gold)	20 713 882-28
	Matte Black	20 713 882-33
	Brushed Champagne (22kt Gold)	20 713 882-46
	Champagne (22kt Gold)	20 713 882-47
	Brushed Chrome	20 713 882-93
	Brushed Dark Platinum	20 713 882-99

20 713 882



**Flow rate chart**



**Codes & Standards**

Executive Order  
no. 1007

Scottish Water  
Byelaws

UK Water Supply  
Regulations



## TARA Three-hole basin mixer with pop-up waste - Brushed Bronze

---

TARA

20 713 882

### Certificates

---

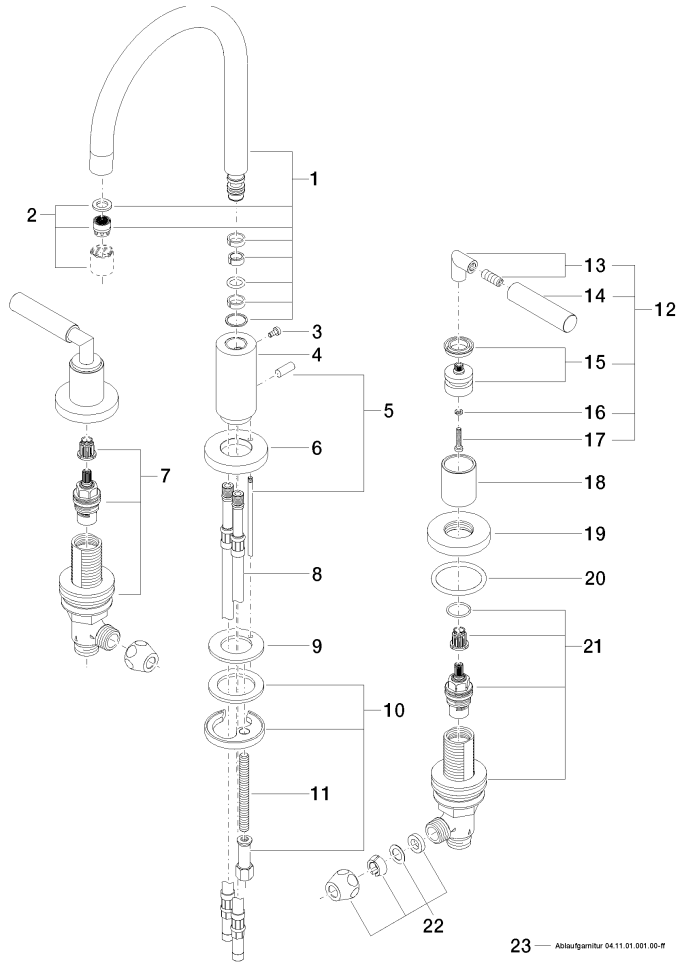
WRAS\_2212

GDV\_0400

20 713 882

**Product version from 6/25/2021**

Parts for other finishes can be found here: [Chrome](#)



23 — Ablaufgarnitur 04.11.01.001.00-R



20 713 882

## **Spare parts list**

**Product version from 6/25/2021**