

20 815 892



- 235mm projection
- pivotable spout 360°
- air-enriched flow
- height of mixer 370 mm
- height up to aerator 212 mm
- hole diameter spout 35 mm
- hole diameter valve 32 mm
- max. flow 7 l/min at 3 bar flow pressure
- lead-free
- This product can help a building meet the requirements of Green Building Rating Systems, e.g. LEED®, BREEAM®, DGNB
- WRAS 2107052

Recommended miscellaneous

Strainer waste with control handle - Platinum 10 710 970-08

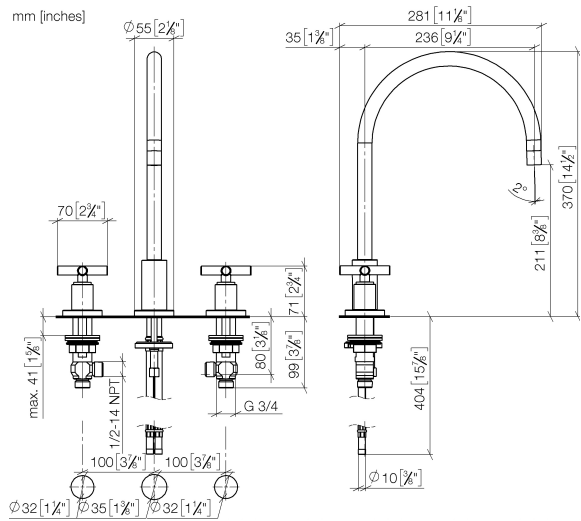
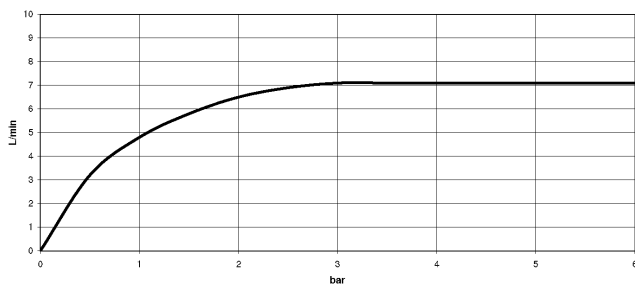


Recommended miscellaneous

Dispenser with rosette - Platinum 82 444 970-08



20 815 892

**Flow rate chart****Codes & Standards**

DIN 4109

Executive Order
no. 1007

ISO 3822

Scottish Water
ByelawsUK Water Supply
Regulations

Ü-Zeichen



TARA Three-hole mixer - Platinum

TARA

20 815 892

Certificates

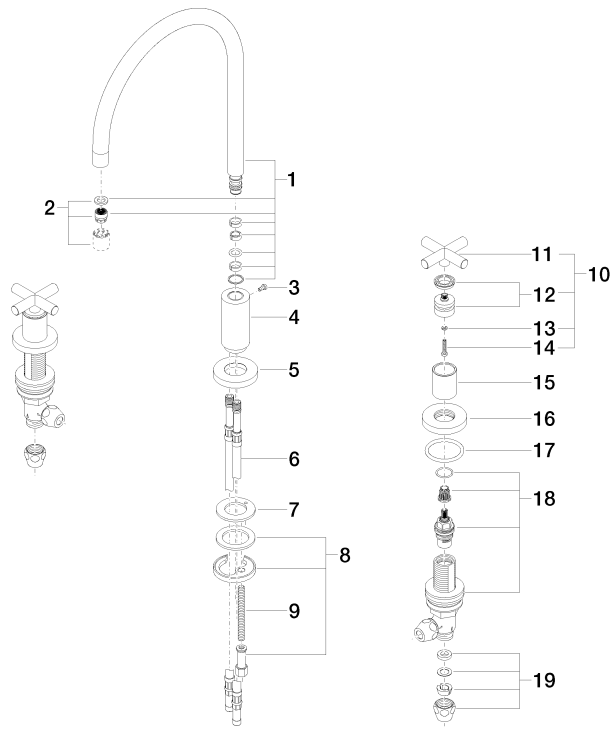
WRAS_2107

LGA_19

GDV_0400

20 815 892

Product version from 6/30/2009





20 815 892

Spare parts list

Product version from 6/30/2009