

20 815 892



- 235mm projection
- pivotable spout 360°
- air-enriched flow
- height of mixer 370 mm
- height up to aerator 212 mm
- hole diameter spout 35 mm
- hole diameter valve 32 mm
- max. flow 7 l/min at 3 bar flow pressure
- lead-free
- This product can help a building meet the requirements of Green Building Rating Systems, e.g. LEED®, BREEAM®, DGNB
- WRAS 2107052

Recommended miscellaneous

Strainer waste with control handle - Durabron (23kt Gold) 10 710 970-09

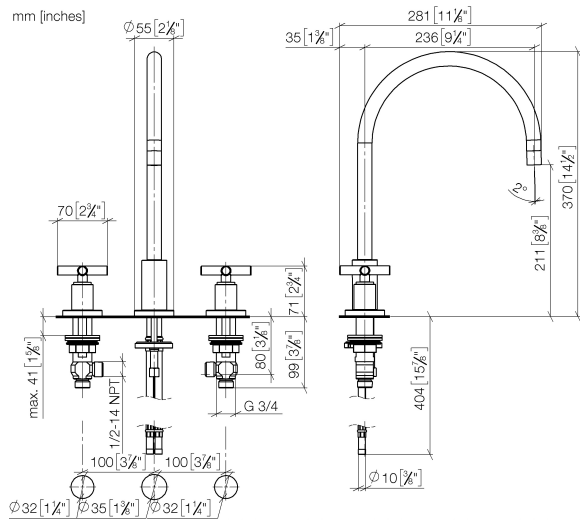


Recommended miscellaneous

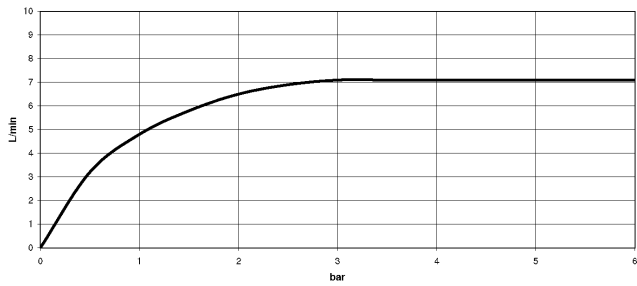
Dispenser with rosette - Durabron (23kt Gold) 82 444 970-09



20 815 892



Flow rate chart



Codes & Standards

Executive Order
no. 1007



TARA Three-hole mixer - Durabronss (23kt Gold)

TARA

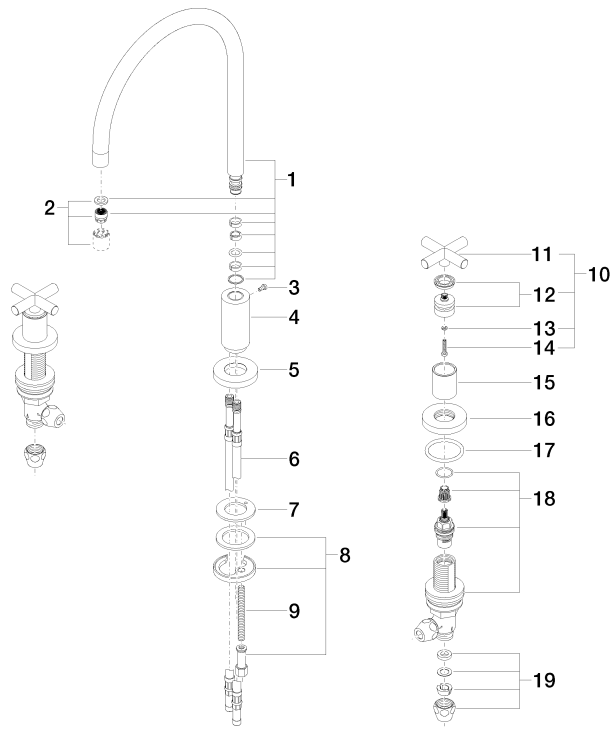
20 815 892

Certificates

GDV_0400

20 815 892

Product version from 6/30/2009





Spare parts list

Product version from 6/30/2009