

20 815 892



- 235mm projection
- pivotable spout 360°
- air-enriched flow
- height of mixer 370 mm
- height up to aerator 212 mm
- hole diameter spout 35 mm
- hole diameter valve 32 mm
- max. flow 7 l/min at 3 bar flow pressure
- lead-free
- This product can help a building meet the requirements of Green Building Rating Systems, e.g. LEED®, BREEAM®, DGNB
- WRAS 2107052

Recommended miscellaneous

**Dispenser with rosette - Dark Chrome** 82 444 970-19



Recommended miscellaneous

**Dispenser with rosette - Dark Chrome** 82 444 970-19

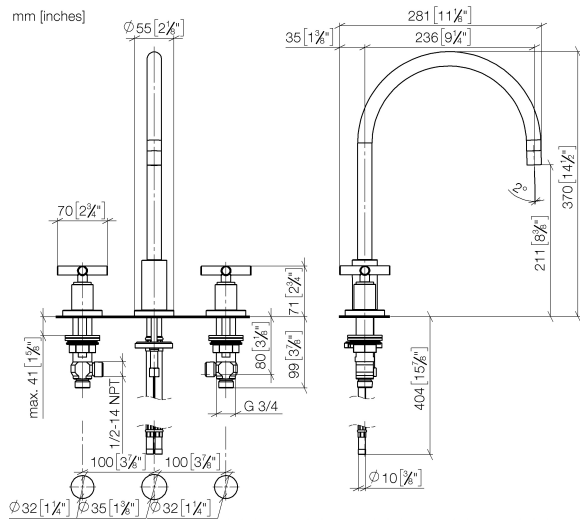


Recommended miscellaneous

**Strainer waste with control handle - Dark Chrome** 10 710 970-19



20 815 892



### Flow rate chart



### Codes & Standards

Executive Order  
no. 1007



## TARA Three-hole mixer - Dark Chrome

---

TARA

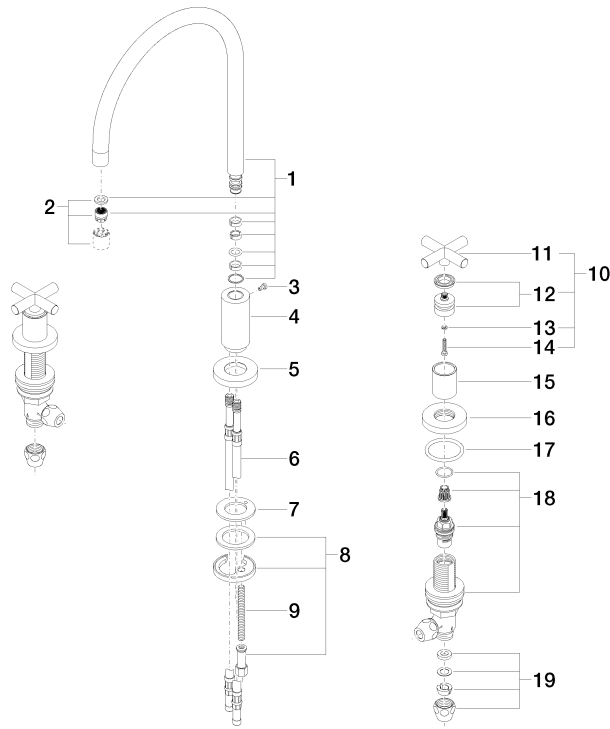
20 815 892

Certificates

---

GDV\_0400

20 815 892





## Spare parts list