

20 815 892



- 235mm projection
- pivotable spout 360°
- air-enriched flow
- height of mixer 370 mm
- height up to aerator 212 mm
- hole diameter spout 35 mm
- hole diameter valve 32 mm
- max. flow 7 l/min at 3 bar flow pressure
- lead-free
- This product can help a building meet the requirements of Green Building Rating Systems, e.g. LEED®, BREEAM®, DGNB
- WRAS 2107052

**Recommended miscellaneous**

**Strainer waste with control handle - Brushed Chrome** 10 710 970-93

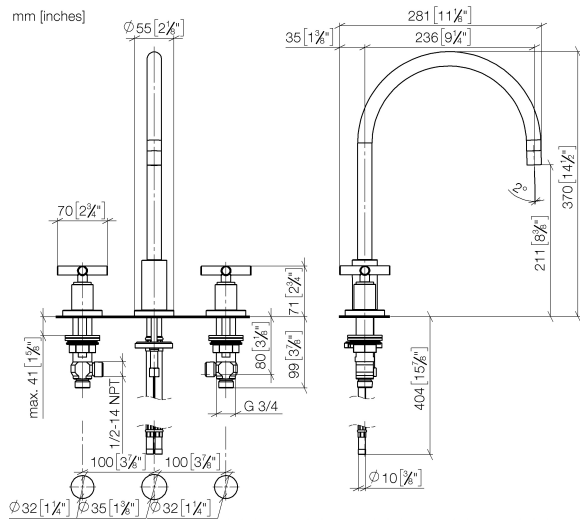


**Recommended miscellaneous**

**Dispenser with rosette - Brushed Chrome** 82 444 970-93



20 815 892



**Flow rate chart**



**Codes & Standards**

Executive Order  
no. 1007



## TARA Three-hole mixer - Brushed Chrome

---

TARA

20 815 892

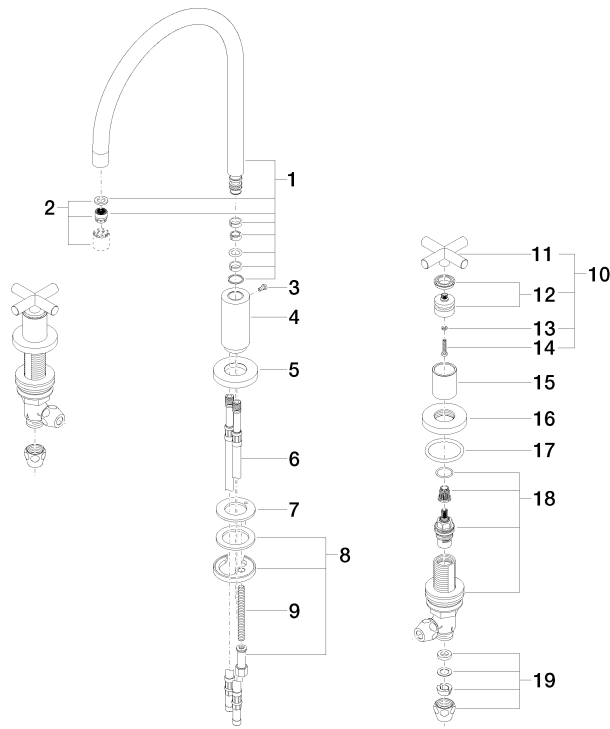
Certificates

---

GDV\_0400

20 815 892

Product version from 6/30/2009





20 815 892

## **Spare parts list**

**Product version from 6/30/2009**