

VAIA Single-hole basin mixer with pop-up waste - Brushed Champagne (22kt Gold)

VAIA

22 513 809

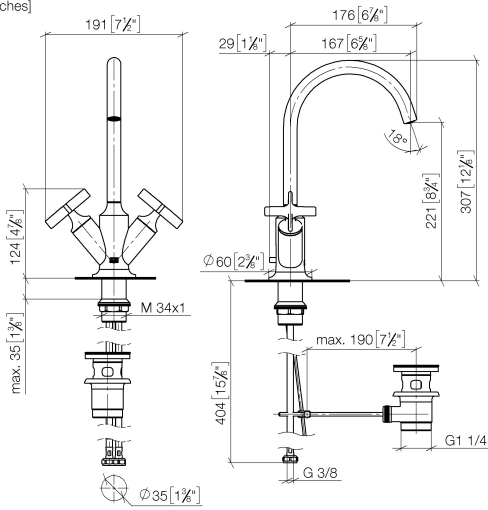


- 167mm projection
- pivotable spout 360°
- circular, air-enriched flow
- height of mixer 307 mm
- height up to aerator 221 mm
- hole diameter 35 mm
- rosette Ø 60 mm
- 2x screw-in M 10 x 1 pressure hose, leak-tested
- max. flow 5.7 l/min
- lead-free
- This product can help a building meet the requirements of Green Building Rating Systems, e.g. LEED®, BREEAM®, DGNB
- WRAS 240102002

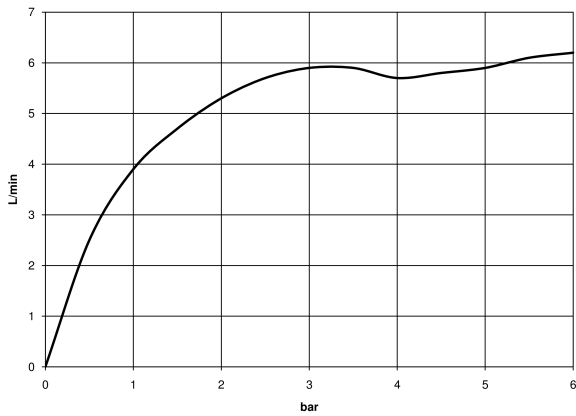
Only suitable for basins with an overflow.

	Brushed Champagne (22kt Gold)	22 513 809-46
	Chrome	22 513 809-00
	Brushed Platinum	22 513 809-06
	Platinum	22 513 809-08
	Dark Chrome	22 513 809-19
	Brushed Durabronze (23kt Gold)	22 513 809-28
	Brushed Bronze	22 513 809-42
	Champagne (22kt Gold)	22 513 809-47
	Brushed Dark Platinum	22 513 809-99

22 513 809  
mm [inches]



Flow rate chart

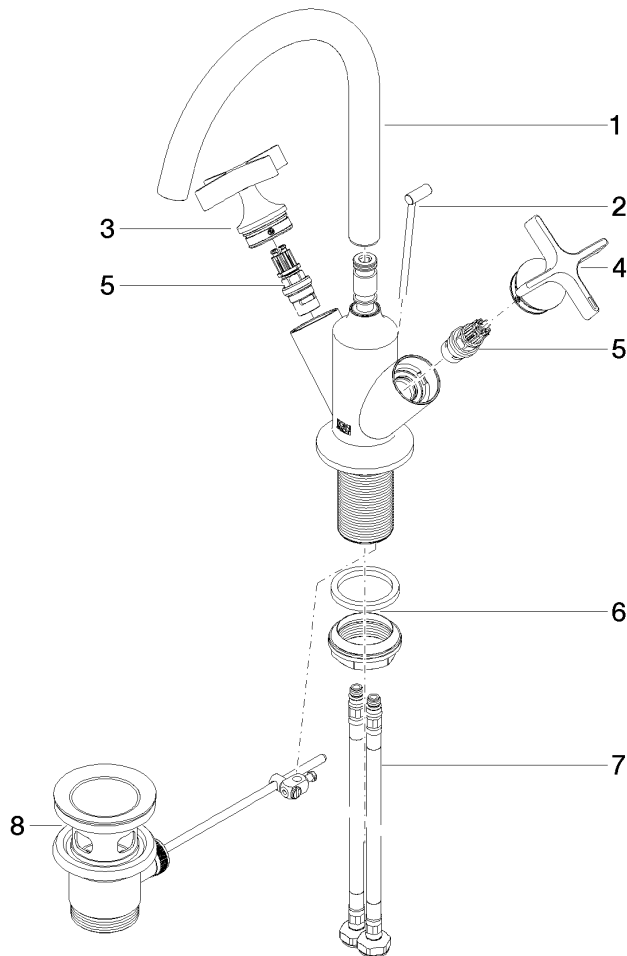


Certificates

LGA\_18920.

WRAS\_240102002.

22 513 809  
Parts for other  
finishes can be found  
here: [Chrome](#)



### Spare parts list

No.	Item Number	Name	Quantity used	Delivery time
1	90 28 22 320 00-46	spout	1	30
2	04 20 89 035 80-46	pull-rod	1	30
3	90 20 66 029 01-46	handle ( hot )	1	30
4	90 20 66 028 00-46	handle ( cold )	1	30
5	90 90 03 175 00 90	top	2	2
6	04 23 10 044 07 90	fixing set	1	2
7	04 30 04 100 00 90	hose	2	2
8	90 11 01 001 00-46	pop-up waste	1	30