

22 513 892



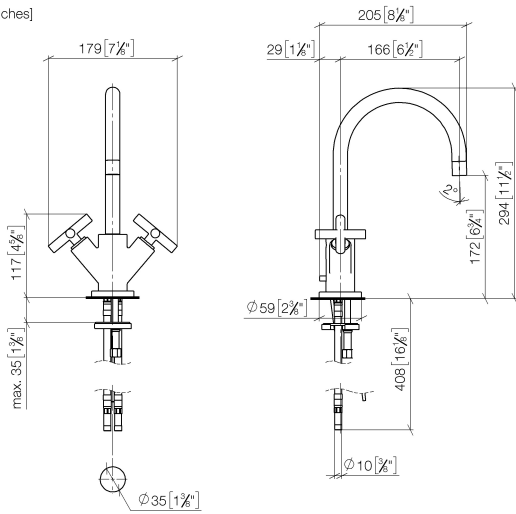
- 165mm projection
- pivotable spout 360°
- circular, air-enriched flow
- height of mixer 295 mm
- height up to aerator 172 mm
- hole diameter 35 mm
- rosette Ø 59 mm
- 2x screw-in M 10 x 1 pressure hose, leak-tested
- max. flow 7 l/min
- lead-free
- This product can help a building meet the requirements of Green Building Rating Systems, e.g. LEED®, BREEAM®, DGNB
- WRAS 1810003

Only suitable for basins with an overflow.

| | | |
|--|--------------------------------|---------------|
|  | Brushed Dark Platinum | 22 513 892-99 |
|  | Chrome | 22 513 892-00 |
|  | Brushed Platinum | 22 513 892-06 |
|  | Platinum | 22 513 892-08 |
|  | Dark Chrome | 22 513 892-19 |
|  | Brushed Durabronze (23kt Gold) | 22 513 892-28 |
|  | Matte Black | 22 513 892-33 |
|  | Brushed Bronze | 22 513 892-42 |
|  | Brushed Champagne (22kt Gold) | 22 513 892-46 |
|  | Champagne (22kt Gold) | 22 513 892-47 |
|  | Brushed Chrome | 22 513 892-93 |

22 513 892

mm [inches]



Flow rate chart



Codes & Standards

DIN 4109

EN 200

Executive Order
no. 1007

ISO 3822

Scottish Water
Byelaws

UK Water Supply
Regulations

Ü-Zeichen

VA-Zeichen



TARA Single-hole basin mixer with pop-up waste - Brushed Dark Platinum

TARA

22 513 892

Certificates

LGA_18

GDV_0400

ETA_18

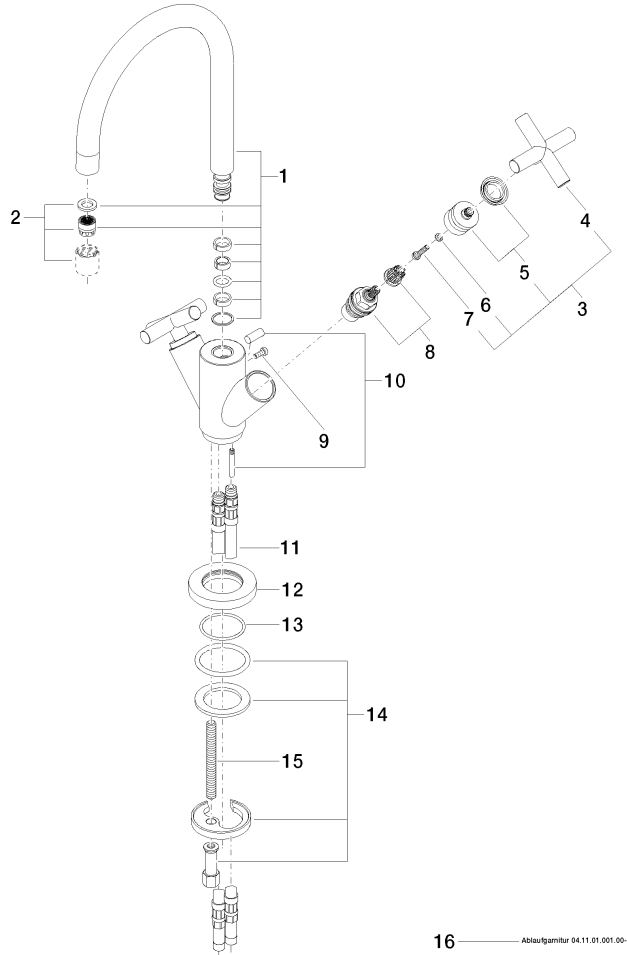
WRAS_1810

22 513 892

Product version from 6/30/2009 to 5/27/2021

Product version from 5/27/2021

Parts for other finishes can be found here: [Chrome](#)



16 — Ablaufgarnitur 04.11.01.001.00-#



TARA Single-hole basin mixer with pop-up waste - Brushed Dark Platinum

TARA

22 513 892

Spare parts list

Product version from 6/30/2009 to 5/27/2021

Product version from 5/27/2021

| No. | Item Number | Name | Quantity used | Delivery time |
|-----|--------------------|-------|---------------|---------------|
| | 90 28 22 213 01-99 | spout | 23 | 30 |