

## META Single-lever basin mixer with stand pipe without pop-up waste - Dark Chrome

22 584 660 Product version from 5/1/2022



- 196mm projection
- fixed spout
- circular, air-enriched flow
- total height 1033 - 1103 mm
- height up to aerator 951 – 1021 mm
- rosette Ø 135 mm
- max. flow 5.7 l/min
- lead-free
- This product can help a building meet the requirements of Green Building Rating Systems, e.g. LEED®, BREEAM®, DGNB
- WRAS

	Dark Chrome	22 584 660-19
	Chrome	22 584 660-00
	Brushed Platinum	22 584 660-06
	Light Gold	22 584 660-26
	Brushed Light Gold	22 584 660-27
	Matte Black	22 584 660-33
	Brushed Bronze	22 584 660-42
	Brushed Champagne (22kt Gold)	22 584 660-46
	Champagne (22kt Gold)	22 584 660-47
	Brushed Chrome	22 584 660-93
	Brushed Dark Platinum	22 584 660-99

### Required miscellaneous

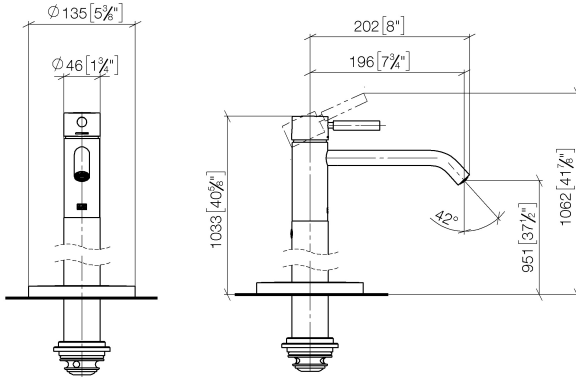


- Concealed floor mounting -** 35 945 970 90
- max. recess depth mm
  - min. recess depth mm

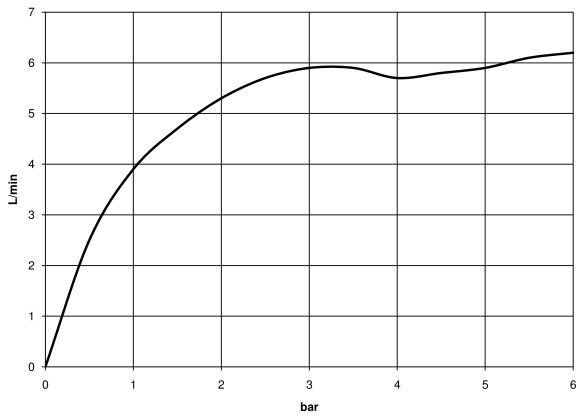


## META Single-lever basin mixer with stand pipe without pop-up waste - Dark Chrome

22 584 660 Product version from 5/1/2022  
mm [inches]



### Flow rate chart



### Codes & Standards

DIN 4109

ISO 3822

Scottish Water  
Byelaws

UK Water Supply  
Regulations

### Ü-Zeichen



## META Single-lever basin mixer with stand pipe without pop-up waste - Dark Chrome

---

22 584 660 Product version from 5/1/2022

### Certificates

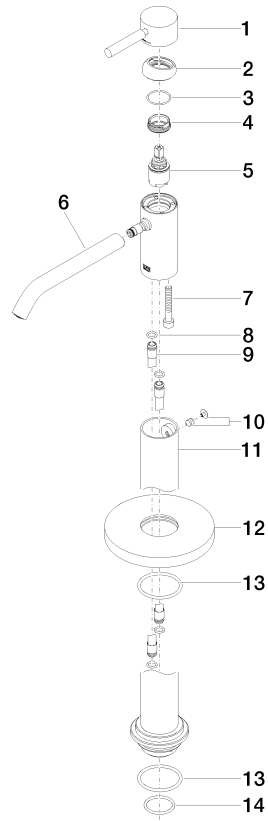
---

LGA\_38

WRAS\_240102

**META Single-lever basin mixer with stand pipe without pop-up waste - Dark Chrome**

22 584 660 Product version from 5/1/2022



**Spare parts list**

No.	Item Number	Name	Quantity used	Delivery time
1	90 20 66 002 00-19	handle	1	20
2	09 28 30 041-19	cover	1	20
3	09 14 10 091 90	seal	1	2
4	09 24 04 266 90	nut	1	2
5	90 15 05 044 00 90	cartridge	1	2
6	90 11 06 216 00-19	spout	1	20
7	09 30 30 111 90	screw	1	2
8	09 14 10 139 90	seal	2	2
9	04 28 22 022 10 90	connection	2	2
10	04 31 11 002 00 90	pin	1	2
11	90 28 22 574 00-19	pipe	1	20
12	09 27 88 005-19	rosette	1	20
13	09 14 10 084 90	seal	2	2
14	09 14 10 018 90	seal	1	2