








IMO Single-hole basin mixer with stand pipe without pop-up waste - Brushed Platinum

IMO

22 585 671 Product version from 4/1/2024



- 195mm projection
- fixed spout
- rectangular, air-enriched flow
- total height 1038 - 1103 mm
- height up to aerator 970 – 1040 mm
- rosette Ø 135 mm
- max. flow 4.6 l/min
- lead-free
- This product can help a building meet the requirements of Green Building Rating Systems, e.g. LEED®, BREEAM®, DGNB

	Brushed Platinum	22 585 671-06
	Chrome	22 585 671-00
	Dark Chrome	22 585 671-19
	Brushed Light Gold	22 585 671-27
	Matte Black	22 585 671-33
	Brushed Chrome	22 585 671-93
	Brushed Dark Platinum	22 585 671-99

Required miscellaneous



Concealed floor mounting -

- min. recess depth mm
- max. recess depth mm

35 945 970 90

Required miscellaneous



Concealed floor mounting -

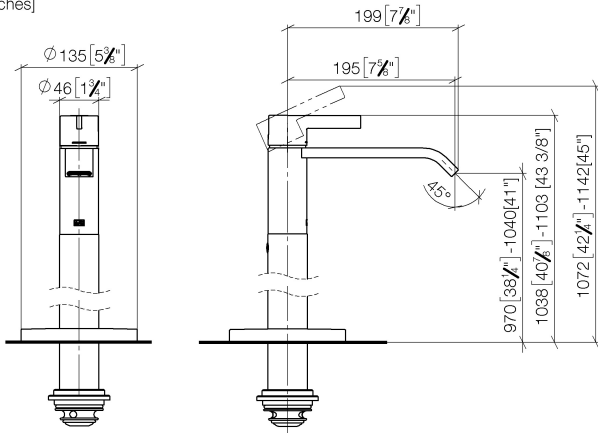
- min. recess depth mm
- max. recess depth mm

35 945 970 90

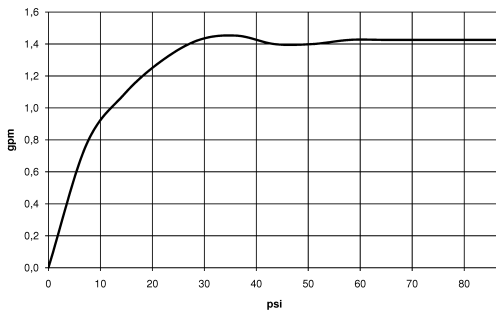
IMO Single-hole basin mixer with stand pipe without pop-up waste - Brushed Platinum

IMO

22 585 671 Product version from 4/1/2024
mm [inches]



Flow rate chart



Codes & Standards

DIN 4109

ISO 3822

Ü-Zeichen



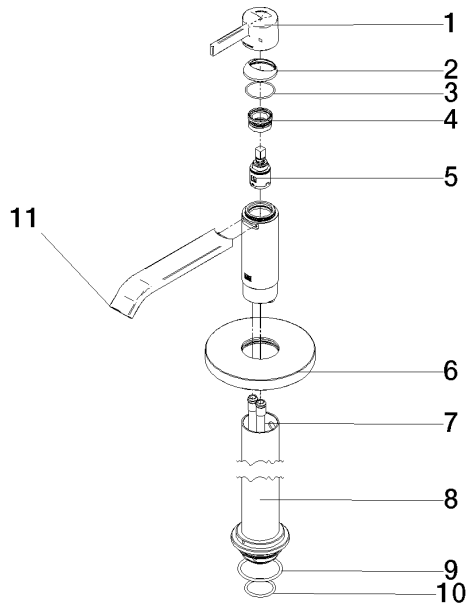
IMO Single-hole basin mixer with stand pipe without pop-up waste - Brushed Platinum

IMO

22 585 671 Product version from 4/1/2024

Certificates

LGA_38



Spare parts list

No.	Item Number	Name	Quantity used	Delivery time
1	90 20 67 019 00-06	handle	1	10
2	90 28 30 059 00-06	cover	1	-
Spare part can no longer be ordered, please order the replacement item				
3	09 14 10 102 90	seal	1	2
4	90 23 10 146 00 90	nut	1	2
5	90 15 05 042 00 90	cartridge	1	2
6	09 27 88 005-06	rosette	1	10
7	04 28 22 022 10 90	connection	2	2
8	90 28 22 574 00-06	pipe	1	10
9	09 14 10 084 90	seal	1	2
10	09 14 10 018 90	seal	1	2
11	90 28 22 407 00-06	spout	1	10