

TARA Single-hole basin mixer with stand pipe without pop-up waste - Matte Black

TARA

22 585 892



- 201mm projection
- pivotable spout 360°
- circular, air-enriched flow
- total height 1095 - 1166 mm
- height up to aerator 1025 – 1095 mm
- rosette Ø 135 mm
- max. flow 5.7 l/min
- lead-free
- This product can help a building meet the requirements of Green Building Rating Systems, e.g. LEED®, BREEAM®, DGNB
- WRAS 2304008

	Matte Black	22 585 892-33
	Chrome	22 585 892-00
	Brushed Platinum	22 585 892-06
	Platinum	22 585 892-08
	Dark Chrome	22 585 892-19
	Brushed Durabronze (23kt Gold)	22 585 892-28
	Brushed Bronze	22 585 892-42
	Brushed Champagne (22kt Gold)	22 585 892-46
	Champagne (22kt Gold)	22 585 892-47
	Brushed Chrome	22 585 892-93
	Brushed Dark Platinum	22 585 892-99

Required miscellaneous



- Concealed floor mounting -** 35 945 970 90
- max. recess depth 150 mm
 - min. recess depth 80 mm



TARA Single-hole basin mixer with stand pipe without pop-up waste - Matte
Black

TARA

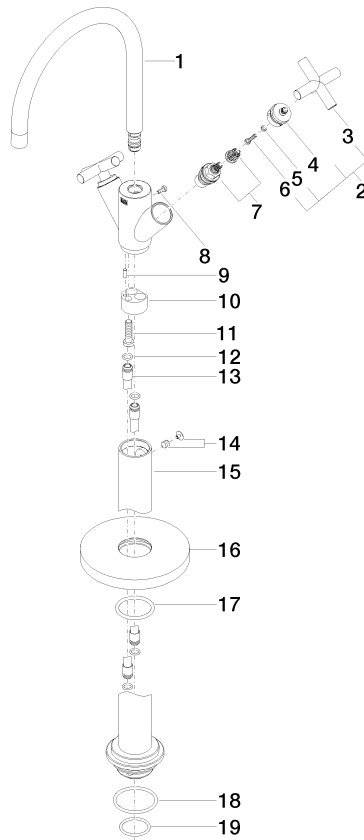
22 585 892
Certificates

LGA_38

WRAS_2304

22 585 892

Product version from 4/1/2024





TARA Single-hole basin mixer with stand pipe without pop-up waste - Matte
Black

TARA

22 585 892

Spare parts list

Product version from 4/1/2024

No.	Item Number	Name	Quantity used	Delivery time
	90 28 22 214 02-33	spout	29	30