

## Single-lever bath mixer with stand pipe for free-standing assembly with hand shower set - Brushed Platinum

25 863 661 Product version from 10/1/2023



- spout: circular, air-enriched flow
- max. flow 19.5 l/min at 3 bar flow pressure
- Hand shower: COMPACT RAIN, max. flow rate 6.8 l/min (at 3 bar)
- bar-type hand shower with anti-scale system
- pivotable spout 360°
- 281mm projection
- wall bracket
- automatic bath/shower diverter
- total height 1031 - 1101 mm
- stand pipe height 565 - 635 mm
- height up to aerator 899 – 969 mm
- slide-on rosettes Ø 135 mm
- metal shower hose 1250mm with integrated anti-twist protection
- WRAS

**Intrinsic protection against back flow.**

Intrinsic protection against back flow.

|  |                                |               |
|--|--------------------------------|---------------|
|  | Brushed Platinum               | 25 863 661-06 |
|  | Chrome                         | 25 863 661-00 |
|  | Dark Chrome                    | 25 863 661-19 |
|  | Light Gold                     | 25 863 661-26 |
|  | Brushed Light Gold             | 25 863 661-27 |
|  | Brushed Durabronze (23kt Gold) | 25 863 661-28 |
|  | Matte Black                    | 25 863 661-33 |
|  | Brushed Bronze                 | 25 863 661-42 |
|  | Brushed Champagne (22kt Gold)  | 25 863 661-46 |
|  | Champagne (22kt Gold)          | 25 863 661-47 |
|  | Brushed Chrome                 | 25 863 661-93 |
|  | Brushed Dark Platinum          | 25 863 661-99 |

### Required miscellaneous



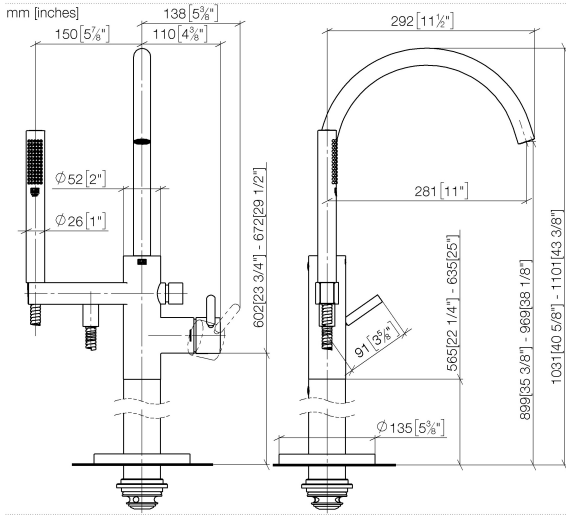
**Concealed floor mounting -**

35 945 970 90

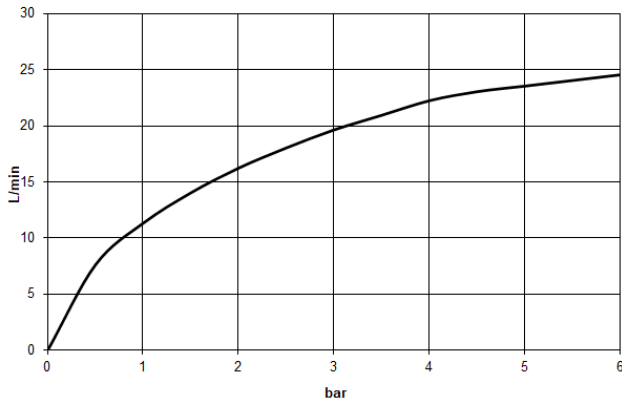
- max. recess depth mm
- min. recess depth mm

**Single-lever bath mixer with stand pipe for free-standing assembly with hand shower set - Brushed Platinum**

25 863 661 Product version from 10/1/2023



**Flow rate chart**



**Codes & Standards**

|                |                        |                             |           |
|----------------|------------------------|-----------------------------|-----------|
| ASME A112.18.1 | cUPC                   | DIN 4109                    | EN 1717   |
| ISO 3822       | Scottish Water Byelaws | UK Water Supply Regulations | Ü-Zeichen |



## Single-lever bath mixer with stand pipe for free-standing assembly with hand shower set - Brushed Platinum

---

25 863 661 Product version from 10/1/2023

### Certificates

---

IAPMO\_4976

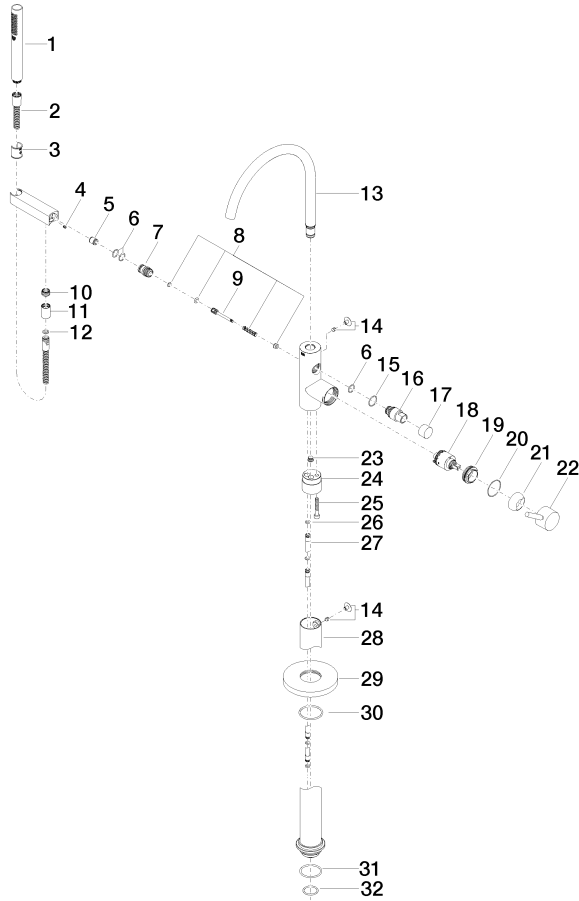
Belgaqua\_19\_77

WRAS\_2001

LGA\_29

Single-lever bath mixer with stand pipe for free-standing assembly with hand shower set - Brushed Platinum

25 863 661 Product version from 10/1/2023





## Single-lever bath mixer with stand pipe for free-standing assembly with hand shower set - Brushed Platinum

25 863 661 Product version from 10/1/2023

### Spare parts list

| No.  | Item Number        | Name   | Quantity used | Delivery time |
|--|--------------------|--|---------------|---------------|
| 1  | 90 12 11 140 41-06 | shower   | 1             | 10            |
| 2  | 90 30 02 072 00-06 | Metal shower hose 1/2" x 3/8" x 1250 mm - Brushed Platinum | 1             | 10            |
| 3  | 09 18 40 118 90    | sleeve   | 1             | 2             |
| 4  | 09 31 11 058 90    | pin  | 1             | 2             |
| 5  | 90 23 01 141 00 90 | back-flow preventer  | 1             | 2             |
| 6  | 90 14 10 010 00 90 | seal   | 3             | 2             |
| 7  | 09 24 03 153 20-06 | nipple   | 1             | 60            |
| 8  | 90 16 02 023 00 90 | spring   | 1             | 2             |
| 9  | 09 31 09 102 20-06 | pull-rod   | 1             | -             |
| Spare part can no longer be ordered, please order the replacement item |                    |  |               |               |
| 10   | 09 24 03 069 90    | nipple   | 1             | 2             |
| 11   | 90 21 02 069 00-06 | cover  | 1             | 10            |
| 12   | 90 14 20 026 00 90 | seal   | 1             | 2             |
| 13   | 90 28 22 327 01-06 | spout  | 1             | 10            |
| 14   | 04 31 20 036 00 90 | plug   | 2             | 2             |
| 15   | 09 14 10 112 90    | seal   | 1             | 2             |
| 16   | 09 21 34 081 20-06 | nipple   | 1             | 10            |
| 17   | 09 20 88 002-06    | handle   | 1             | 10            |
| 18   | 90 15 05 039 00 90 | cartridge  | 1             | 2             |
| 19   | 09 24 04 298 90    | nut  | 1             | 2             |
| 20   | 09 14 10 037 90    | seal   | 1             | 2             |
| 21   | 09 28 30 036-06    | cover  | 1             | 10            |
| 22   | 90 20 66 005 00-06 | handle   | 1             | 10            |
| 23   | 04 31 20 039 11 90 | plug   | 1             | 2             |
| 24   | 09 24 03 152 20-06 | adaptor  | 1             | -             |
| Spare part can no longer be ordered, please order the replacement item |                    |  |               |               |
| 25   | 09 30 30 111 90    | screw  | 1             | 2             |
| 26   | 09 14 10 139 90    | seal   | 2             | 2             |
| 27   | 04 28 22 025 00 90 | connection   | 2             | 2             |
| 28   | 04 28 22 030 00-06 | pipe   | 1             | 10            |
| 29   | 09 27 88 007-06    | rosette  | 1             | 10            |
| 30   | 90 14 10 129 00 90 | seal   | 1             | 2             |
| 31   | 09 14 10 084 90    | seal   | 1             | 2             |
| 32   | 09 14 10 018 90    | seal   | 1             | 2             |