




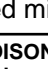


26 413 360




- slide bar
- Pipe diameter 18 mm
- rosette Ø 60 mm
- gauge 850 mm
- metal shower hose 1750mm with integrated anti-twist protection
- shower hose connector 1/2"
- WRAS 2009048

This article does not include a hand shower!

|  |                              |               |
|--|------------------------------|---------------|
|  | Brushed Durabron (23kt Gold) | 26 413 360-28 |
|  | Chrome                       | 26 413 360-00 |
|  | Brushed Platinum             | 26 413 360-06 |
|  | Platinum                     | 26 413 360-08 |
|  | Durabron (23kt Gold)         | 26 413 360-09 |
|  | Brushed Dark Platinum        | 26 413 360-99 |

**Recommended miscellaneous**

|   |  |               |
|---|--|---------------|
|  | <b>Concealed wall elbow -</b><br>•max. recess depth 163 mm<br>•min. recess depth 90 mm | 35 085 970 90 |
|---|--|---------------|

**Recommended miscellaneous**

|   |  |               |
|---|--|---------------|
|  | <b>MADISON Wall elbow - Brushed Durabron (23kt Gold)</b> | 28 450 410-28 |
|---|--|---------------|

**Required miscellaneous**

|   |  |                    |
|---|--|--------------------|
|  | <b>MADISON Metal hand shower with porcelain insert (white) FlowReduce - Brushed Durabron (23kt Gold)</b> | 28 002 970-28 0010 |
|---|--|--------------------|

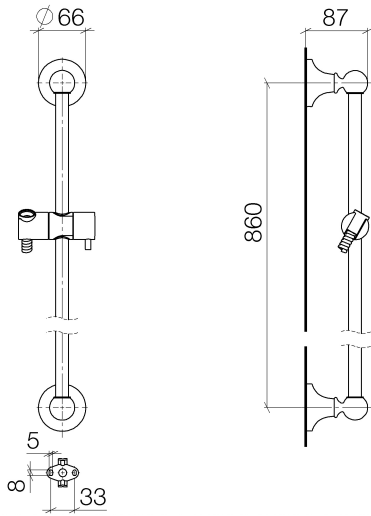
**Required miscellaneous**

|   |   |               |
|---|---|---------------|
|  | <b>MADISON Hand shower - Brushed Durabron (23kt Gold)</b><br>•spray head Ø 95mm<br>•Hand shower see page {PAGE}<br>•Three settings: COMPACT RAIN, COMPACT SOFT FLOW, COMPACT AQUAPRESSURE FLOW, max. flow rate l/min (at 3 bar) | 28 002 978-28 |
|---|---|---------------|

**Required miscellaneous**

|   |  |                    |
|---|--|--------------------|
|  | <b>MADISON Hand shower FlowReduce - Brushed Durabron (23kt Gold)</b><br>•spray head Ø 95mm<br>•Hand shower see page {PAGE}<br>•Three settings: COMPACT RAIN, COMPACT SOFT FLOW, COMPACT AQUAPRESSURE FLOW, max. flow rate l/min (at 3 bar) | 28 002 978-28 0010 |
|---|--|--------------------|

26 413 360



Codes & Standards

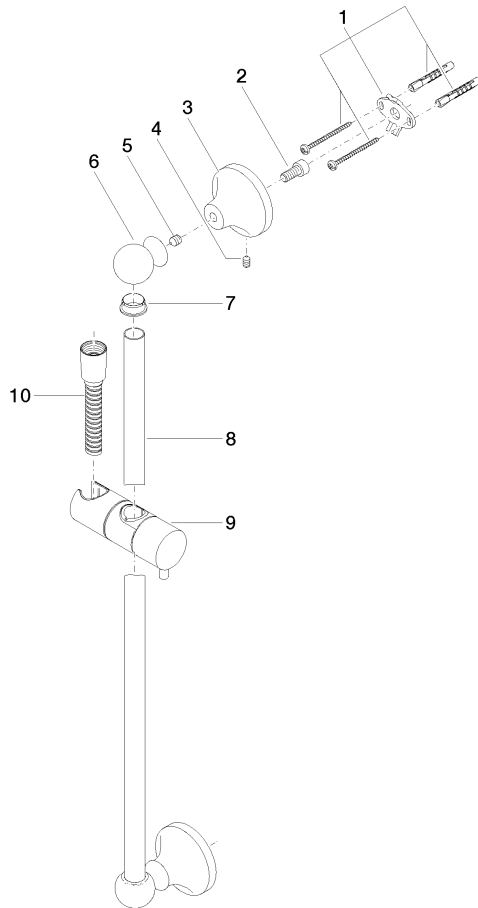
Scottish Water  
Byelaws

UK Water Supply  
Regulations

Certificates

WRAS\_2009

26 413 360





**MADISON Shower set without hand shower - Brushed Durabronz (23kt Gold)**

MADISON

26 413 360

**Spare parts list**

| No. | Item Number        | Name       | Quantity used | Delivery time |
|-----|--------------------|------------|---------------|---------------|
|     | 90 17 20 708 00 90 | fixing set | 17            | 2             |