

Shower set without hand shower - Brushed Bronze

IMO

26 413 979




Fits: IMO, LULU, MEM, TARA, CL.1, LISSÉ,
VAIA, META, CYO

- slide bar
- Pipe diameter 18 mm
- gauge 853 mm
- metal shower hose 1750mm with integrated anti-twist protection
- shower hose connector 3/8"
- WRAS 2009048


This article does not include a hand shower!

	Brushed Bronze	26 413 979-42
	Chrome	26 413 979-00
	Brushed Platinum	26 413 979-06
	Platinum	26 413 979-08
	Dark Chrome	26 413 979-19
	Light Gold	26 413 979-26
	Brushed Light Gold	26 413 979-27
	Brushed Durabronze (23kt Gold)	26 413 979-28
	Matte Black	26 413 979-33
	Brushed Champagne (22kt Gold)	26 413 979-46
	Champagne (22kt Gold)	26 413 979-47
	Brushed Chrome	26 413 979-93
	Brushed Dark Platinum	26 413 979-99

Recommended miscellaneous

	Concealed wall elbow - •min. recess depth 90 mm •max. recess depth 163 mm	35 085 970 90
---	--	---------------

Required miscellaneous

	Hand shower FlowReduce - Brushed Bronze	28 016 979-42 0010
---	--	-----------------------


Required miscellaneous

	Hand shower - Brushed Bronze	28 018 979-42
---	-------------------------------------	---------------


Required miscellaneous

	Hand shower FlowReduce - Brushed Bronze	28 012 979-42 0010
---	--	-----------------------

Required miscellaneous

	Hand shower FlowReduce - Brushed Bronze	28 018 979-42 0010
---	--	-----------------------

Required miscellaneous

	Hand shower - Brushed Bronze	28 012 979-42
---	-------------------------------------	---------------

Required miscellaneous

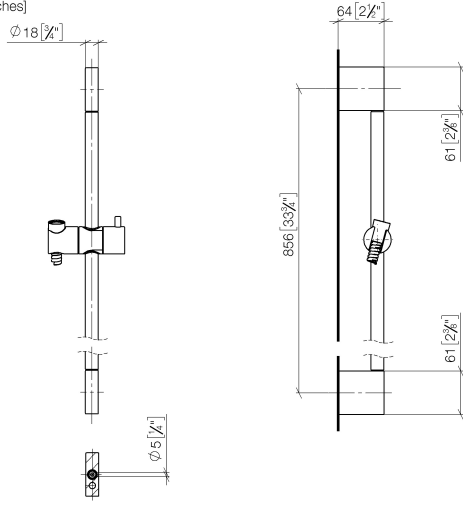
	Hand shower - Brushed Bronze	28 017 979-42
---	-------------------------------------	---------------

Required miscellaneous

	Hand shower - Brushed Bronze	28 016 979-42
---	-------------------------------------	---------------

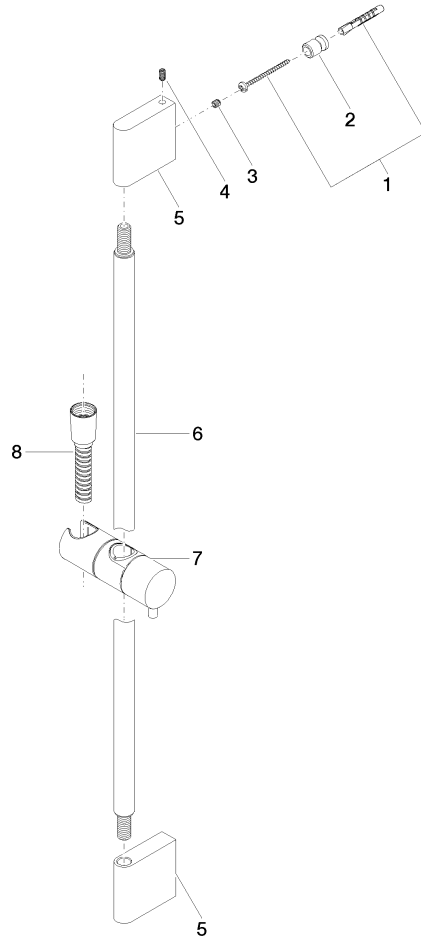
26 413 979

mm [inches]



26 413 979

Product version from 10/1/2023





Shower set without hand shower - Brushed Bronze

IMO

26 413 979

Spare parts list

Product version from 10/1/2023

No.	Item Number	Name	Quantity used	Delivery time
	05 17 20 726 02 90	fixing set	13	2