

CYO Five-hole bath mixer for bath rim or tile edge installation - Brushed Durabronz (23kt Gold)






CYO

27 523 811



- 167mm projection
- rectangular, air-enriched flow
- height of mixer 198 mm
- height up to aerator 133 mm
- Hand shower: COMPACT RAIN, max. flow rate 6.8 l/min (at 3 bar)
- complete hand shower set with anti-scale system
- hole diameter spout 32 mm
- hole diameter valve 32 mm
- rosette for complete hand shower set 60 x 60mm
- handle Ø 60mm
- metal shower hose 1750mm with integrated anti-twist protection
- max. flow 23.8 l/min at 3 bar flow pressure
- WRAS 2204011

NOTE: The handle inserts must be ordered separately from the fittings!

	Brushed Durabronz (23kt Gold)	27 523 811-28
	Chrome	27 523 811-00
	Brushed Platinum	27 523 811-06
	Dark Chrome	27 523 811-19
	Brushed Dark Platinum	27 523 811-99

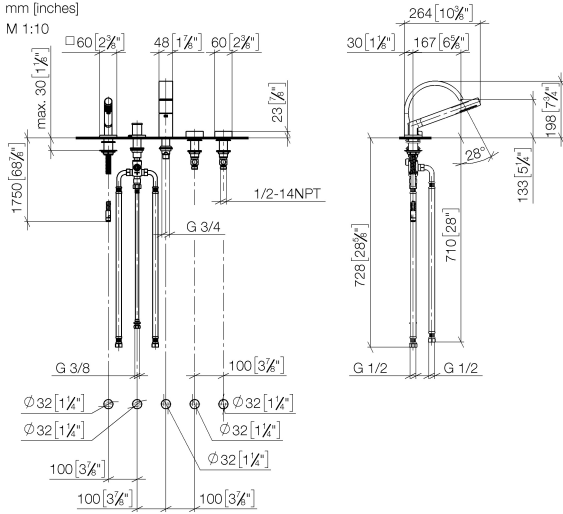
CYO Five-hole bath mixer for bath rim or tile edge installation - Brushed Durabronz (23kt Gold)

CYO

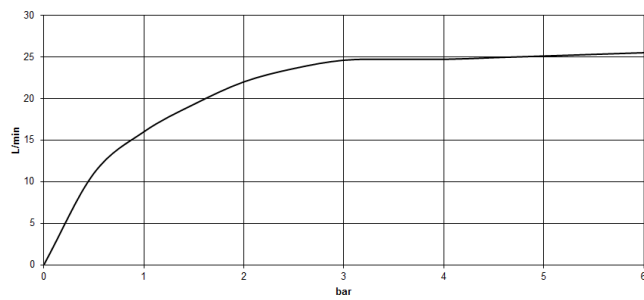
27 523 811

mm [inches]

M 1:10



Flow rate chart



Codes & Standards

DIN 4109

EN 1717

ISO 3822

Scottish Water
Byelaws

UK Water Supply
Regulations

Ü-Zeichen



CYO Five-hole bath mixer for bath rim or tile edge installation - Brushed
Durabron (23kt Gold)

CYO

27 523 811

Certificates

LGA_38

WRAS_2204

Belgaqua_21-380-2



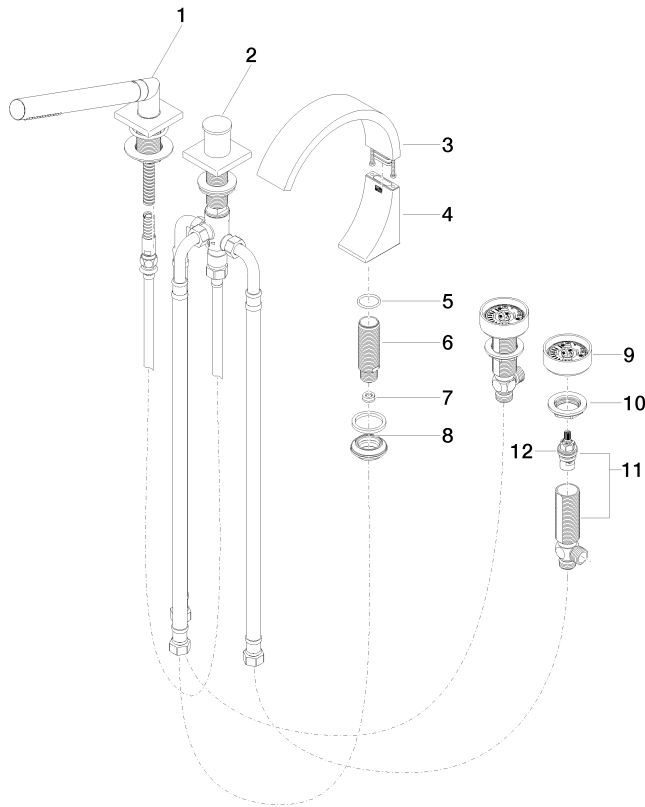
CYO Five-hole bath mixer for bath rim or tile edge installation - Brushed Durabronz (23kt Gold)

CYO

27 523 811

Product version from 7/1/2023

Parts for other finishes can be found here: [Chrome](#)





CYO Five-hole bath mixer for bath rim or tile edge installation - Brushed Durabron (23kt Gold)

CYO

27 523 811

Spare parts list

Product version from 7/1/2023

No.	Item Number	Name	Quantity used	Delivery time
	27 702 980-28	Hand shower set for bath rim or tile edge installation - Brushed Durabron (23kt Gold)	15	20