

VAIA Hand shower set with individual rosettes FlowReduce - Champagne (22kt Gold)




VAIA

27 808 809



- COMPACT RAIN, max. flow rate 6.8 l/min (at 3 bar)
- with anti-scale system
- 3/8" shower outlet
- rosette for wall elbow Ø 60mm
- rosette for shower holder Ø 60mm
- metal shower hose 1250mm with integrated anti-twist protection
- 1/2" wall elbow
- This product can help a building meet the requirements of Green Building Rating Systems, e.g. LEED®, BREEAM®, DGNB

Intrinsic protection against back flow.

| | | |
|--|--------------------------------|--------------------|
|  | Champagne (22kt Gold) | 27 808 809-47 0010 |
|  | Chrome | 27 808 809-00 |
|  | Chrome | 27 808 809-00 0010 |
|  | Brushed Platinum | 27 808 809-06 |
|  | Brushed Platinum | 27 808 809-06 0010 |
|  | Platinum | 27 808 809-08 0010 |
|  | Platinum | 27 808 809-08 |
|  | Dark Chrome | 27 808 809-19 0010 |
|  | Brushed Durabronze (23kt Gold) | 27 808 809-28 0010 |
|  | Brushed Durabronze (23kt Gold) | 27 808 809-28 |
|  | Brushed Bronze | 27 808 809-42 |
|  | Brushed Bronze | 27 808 809-42 0010 |
|  | Brushed Champagne (22kt Gold) | 27 808 809-46 0010 |
|  | Brushed Dark Platinum | 27 808 809-99 |
|  | Brushed Dark Platinum | 27 808 809-99 0010 |

Recommended miscellaneous

Concealed wall elbow - 35 085 970 90



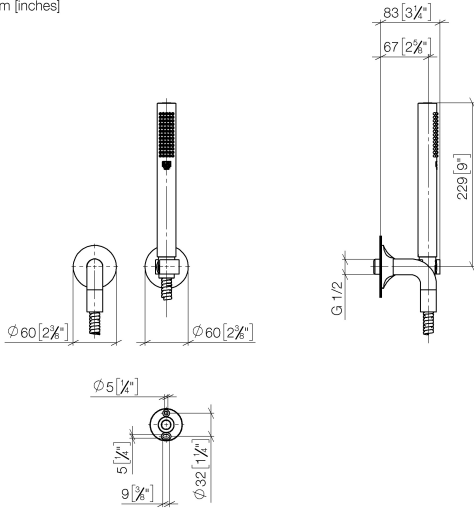
- max. recess depth 163 mm
- min. recess depth 90 mm



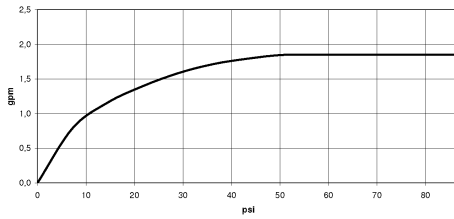
VAIA Hand shower set with individual rosettes FlowReduce - Champagne (22kt Gold)

VAIA

27 808 809
mm [inches]



Flow rate chart



Codes & Standards

DIN 4109

ISO 3822

Ü-Zeichen

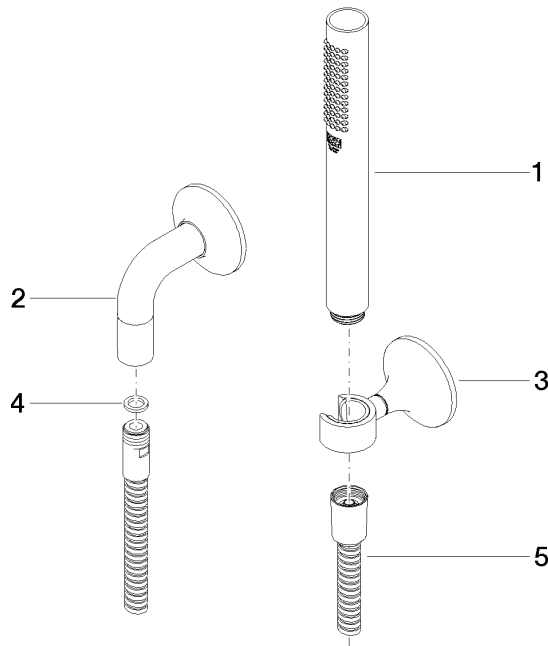


VAIA Hand shower set with individual rosettes FlowReduce - Champagne (22kt Gold)

VAIA

27 808 809
Certificates

LGA_29





VAIA Hand shower set with individual rosettes FlowReduce - Champagne (22kt Gold)

VAIA

27 808 809

Spare parts list

| No. | Item Number | Name | Quantity used | Delivery time |
|-----|--------------------|--------|---------------|---------------|
| | 90 12 11 140 30-47 | shower | 5 | 30 |