

**Rain shower for surface-mounted ceiling installation with light 300 mm -
Brushed Bronze**

TARA

28 032 970



Fits: TARA, LISSÉ, VAIA, META

- rain shower Ø 300 mm
- PURE RAIN, max. flow rate 12 l/min (at 3 bar)
- PURIFY RAIN, max. flow rate 6 l/min (at 3 bar)
- Distance to ceiling from bottom edge of shower 40 mm
- with anti-scale system
- central LED Spot 3000 K
- Provided by customer: Light switch
- For simultaneous control of the jet types, we recommend the xTool thermostat module
- Not suitable for use in a steam room.

● WRAS 240502006
includes light bulbs with a Class F energy efficiency

includes light bulbs with a Class F energy efficiency

	Brushed Bronze	28 032 970-42
	Chrome	28 032 970-00
	Brushed Platinum	28 032 970-06
	Platinum	28 032 970-08
	Dark Chrome	28 032 970-19
	Light Gold	28 032 970-26
	Brushed Light Gold	28 032 970-27
	Brushed Durabronze (23kt Gold)	28 032 970-28
	Matte Black	28 032 970-33
	Brushed Champagne (22kt Gold)	28 032 970-46
	Champagne (22kt Gold)	28 032 970-47
	Brushed Chrome	28 032 970-93
	Brushed Dark Platinum	28 032 970-99

Required miscellaneous



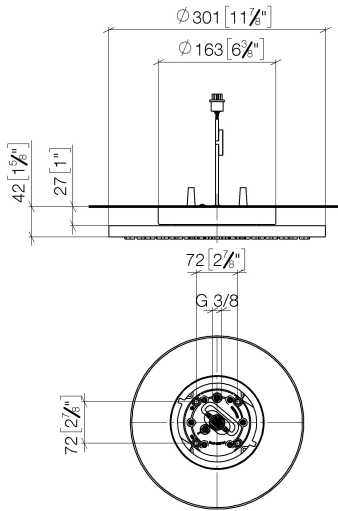
**Concealed ceiling installation box 35 042 970 90
for surface-mounted ceiling
installation with light -**

- concealed rough parts
- min. recess depth 90 mm
- max. recess depth 115 mm
- 2x female thread 1/2" connections
- Input 100-240V AC 50-60Hz
- Output 350 mA SELV / Class II
- Provided by customer: Light switch

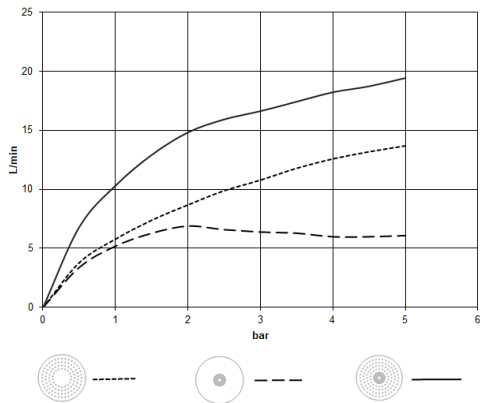
**Rain shower for surface-mounted ceiling installation with light 300 mm -
Brushed Bronze**

TARA

28 032 970
mm [Inches]



Flow rate chart



Codes & Standards

DIN 4109

ISO 3822

Scottish Water
Byelaws

UK Water Supply
Regulations

Ü-Zeichen



Rain shower for surface-mounted ceiling installation with light 300 mm -
Brushed Bronze

TARA

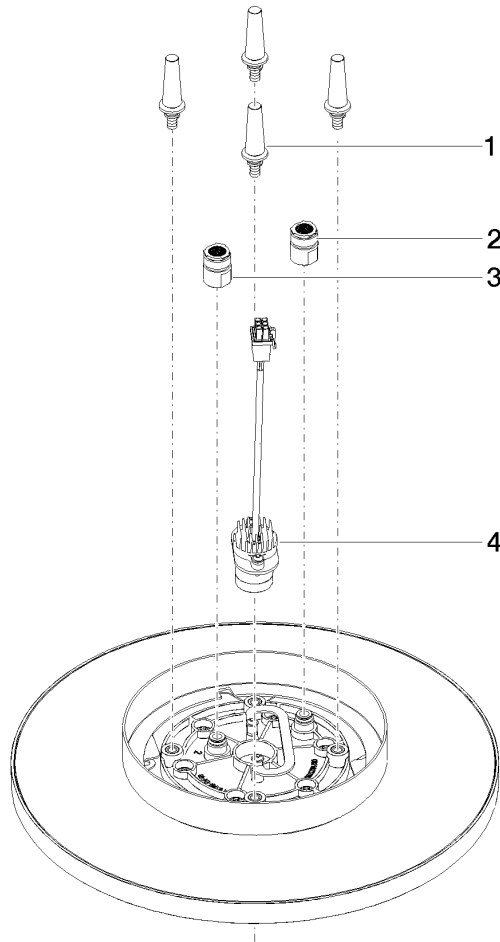
28 032 970
Certificates

LGA_38

WRAS_240502

28 032 970

Product version from 5/1/2022





Rain shower for surface-mounted ceiling installation with light 300 mm -
Brushed Bronze

TARA

28 032 970

Spare parts list

Product version from 5/1/2022

No.	Item Number	Name	Quantity used	Delivery time
	90 17 20 263 00 90	fixing set	4	2