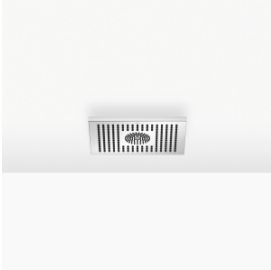


Rain shower for surface-mounted ceiling installation with light 300 x 240 mm - Chrome

IMO

28 042 980



Fits: IMO, LULU, MEM, CL.1, CYO

- rain shower 300 x 240mm
- PURE RAIN, max. flow rate 12 l/min (at 3 bar)
- PURIFY RAIN, max. flow rate 6 l/min (at 3 bar)
- Distance to ceiling from bottom edge of shower 40 mm
- with anti-scale system
- central LED Spot 3000 K
- Provided by customer: Light switch
- For simultaneous control of the jet types, we recommend the xTool thermostat module
- Not suitable for use in a steam room.
- WRAS 240502006

includes light bulbs with a Class F energy efficiency

includes light bulbs with a Class F energy efficiency

| | | |
|--|--------------------------------|---------------|
| | Chrome | 28 042 980-00 |
| | Brushed Platinum | 28 042 980-06 |
| | Platinum | 28 042 980-08 |
| | Brushed Durabronze (23kt Gold) | 28 042 980-28 |
| | Matte Black | 28 042 980-33 |
| | Brushed Champagne (22kt Gold) | 28 042 980-46 |
| | Champagne (22kt Gold) | 28 042 980-47 |
| | Brushed Chrome | 28 042 980-93 |
| | Brushed Dark Platinum | 28 042 980-99 |

Required miscellaneous



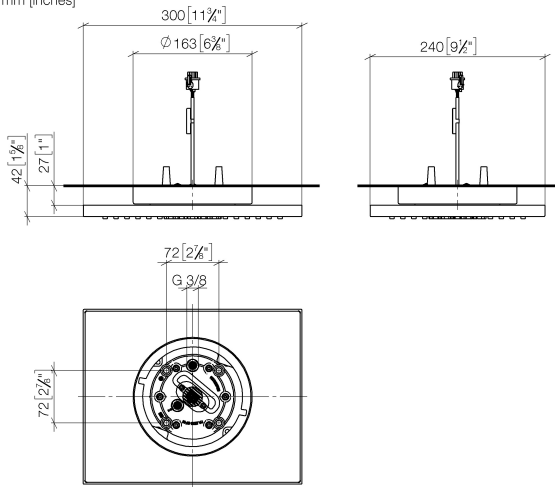
Concealed ceiling installation box for surface-mounted ceiling installation with light - 35 042 970 90

- min. recess depth 90 mm
- max. recess depth 115 mm
- 2x female thread 1/2" connections
- Input 100-240V AC 50-60Hz
- concealed rough parts
- Output 350 mA SELV / Class II
- Provided by customer: Light switch

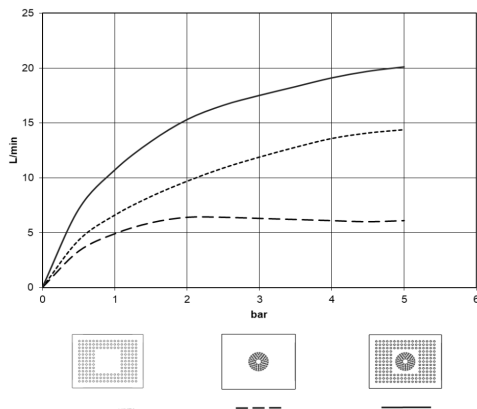
Rain shower for surface-mounted ceiling installation with light 300 x 240 mm - Chrome

IMO

28 042 980
mm [inches]



Flow rate chart



Codes & Standards

DIN 4109

ISO 3822

Scottish Water
Byelaws

UK Water Supply
Regulations

Ü-Zeichen



Rain shower for surface-mounted ceiling installation with light 300 x 240 mm -
Chrome

IMO

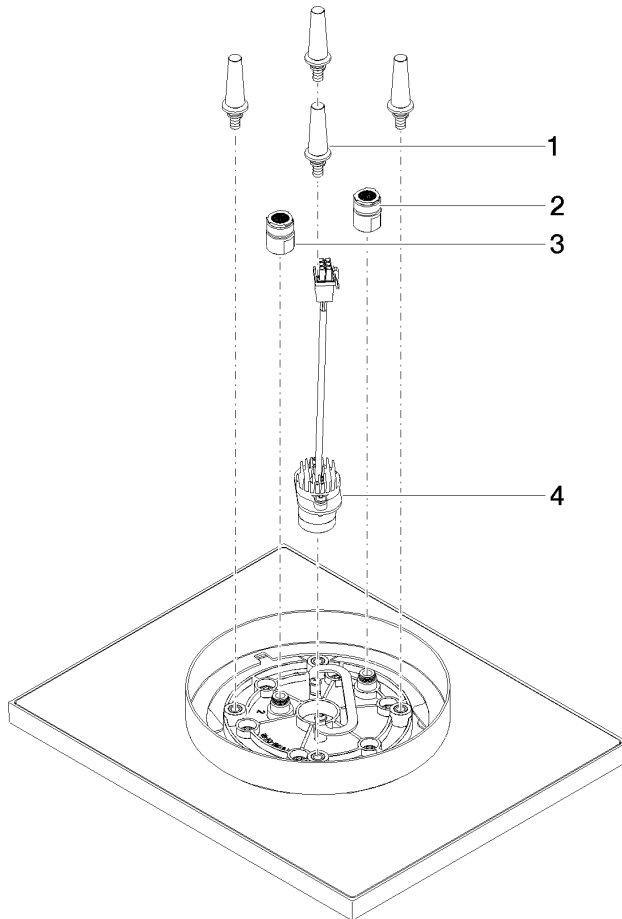
28 042 980
Certificates

LGA_38

WRAS_240502

28 042 980

Product version from 5/1/2022





Rain shower for surface-mounted ceiling installation with light 300 x 240 mm -
Chrome

IMO

28 042 980

Spare parts list

Product version from 5/1/2022

| No. | Item Number | Name | Quantity used | Delivery time |
|-----|--------------------|------------|---------------|---------------|
| | 90 17 20 263 00 90 | fixing set | 4 | 2 |