

28 044 980



Fits: IMO, LULU, MEM, CL.1, CYO

- rain shower 300 x 240mm
- PURE RAIN, max. flow rate 12 l/min (at 3 bar)
- PURIFY RAIN, max. flow rate 6 l/min (at 3 bar)
- min. recess depth 137 mm
- with anti-scale system
- central RGBW LED spot
- RGBW LED ambient lighting
- For simultaneous control of the jet types, we recommend the xTool thermostat module
- Provided by customer: Zigbee gateway
- Not suitable for use in a steam room.
- WRAS 240502006

includes light bulbs with a Class G energy efficiency

includes light bulbs with a Class G energy efficiency

| | | |
|--|--------------------------------|---------------|
|  | Platinum | 28 044 980-08 |
|  | Chrome | 28 044 980-00 |
|  | Brushed Platinum | 28 044 980-06 |
|  | Dark Chrome | 28 044 980-19 |
|  | Brushed Light Gold | 28 044 980-27 |
|  | Brushed Durabronze (23kt Gold) | 28 044 980-28 |
|  | Matte Black | 28 044 980-33 |
|  | Brushed Champagne (22kt Gold) | 28 044 980-46 |
|  | Champagne (22kt Gold) | 28 044 980-47 |
|  | Brushed Chrome | 28 044 980-93 |
|  | Brushed Dark Platinum | 28 044 980-99 |

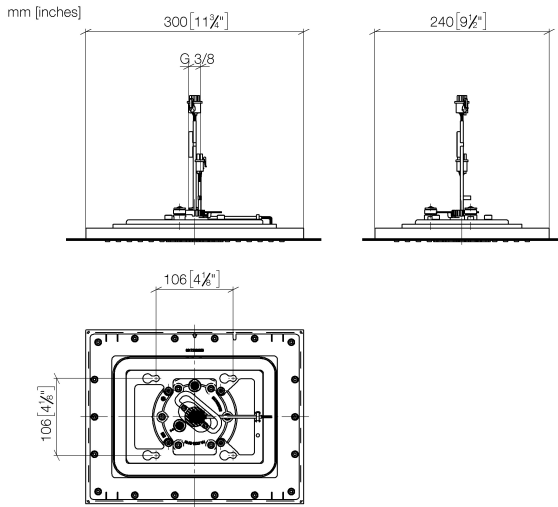
Required miscellaneous



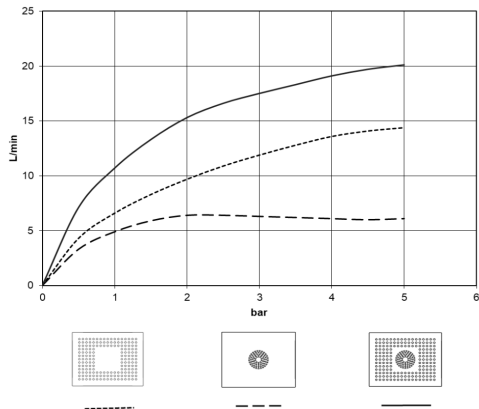
Concealed ceiling installation box for recessed ceiling installation with light - 35 044 970 90

- flush-mounted installation box 360x300 mm RAL 9003 signal white
- recess depth 137mm
- Supply pipe 7 m
- concealed rough parts
- Input 100-240V AC 50-60Hz
- Output 12V DC SELV / Class II
- ZigBee Light Link RGBW controller
- Provided by customer: Zigbee gateway

28 044 980



Flow rate chart



Codes & Standards

DIN 4109

ISO 3822

Scottish Water
Byelaws

UK Water Supply
Regulations

Ü-Zeichen



Rain shower for recessed ceiling installation with light 300 x 240 mm - Platinum

IMO

28 044 980

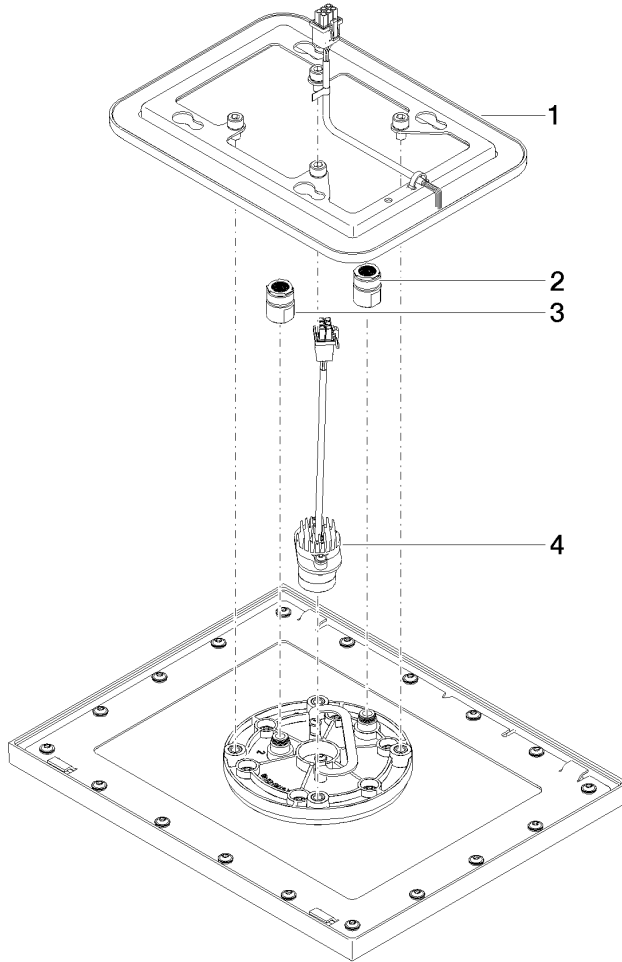
Certificates

LGA_38

WRAS_240502

28 044 980

Product version from 5/1/2022





Rain shower for recessed ceiling installation with light 300 x 240 mm - Platinum

IMO

28 044 980

Spare parts list

Product version from 5/1/2022

| No. | Item Number | Name | Quantity used | Delivery time |
|-----|--------------------|------------------------|---------------|---------------|
| | 90 10 01 224 00 90 | electronic accessories | 4 | 2 |