




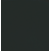

## EDITION PRO Rain shower with wall fixing 220 mm - Chrome

---

28 649 626



- 450mm projection
- rain flow
- with anti-scale system
- rain shower Ø 220 mm
- rosette Ø 60 mm
- 1/2" connection
- max. flow 14 l/min
- quick clearing
- WRAS 2212012

	Chrome	28 649 626-00
	Matte Black	28 649 626-33
	Brushed Chrome	28 649 626-93

### Required miscellaneous

---



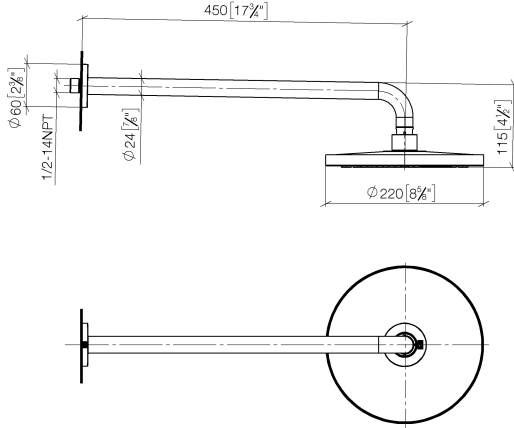
- Concealed wall elbow -** 35 085 970 90
- min. recess depth 90 mm
  - max. recess depth 163 mm



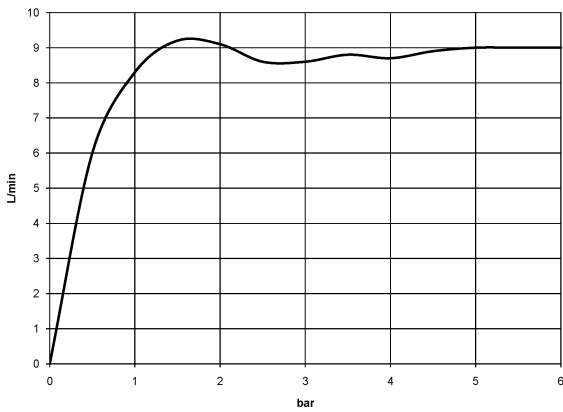
## EDITION PRO Rain shower with wall fixing 220 mm - Chrome

28 649 626

mm [inches]



### Flow rate chart



### Codes & Standards

DIN 4109

ISO 3822

Scottish Water  
Byelaws

UK Water Supply  
Regulations

### Ü-Zeichen



## EDITION PRO Rain shower with wall fixing 220 mm - Chrome

---

28 649 626

### Certificates

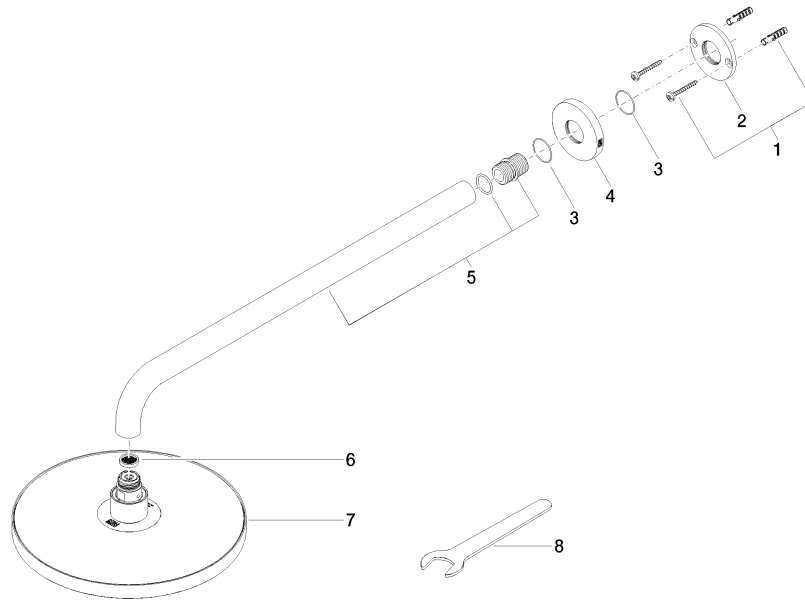
---

LGA\_38

WRAS\_2212

EDITION PRO Rain shower with wall fixing 220 mm - Chrome

28 649 626





## EDITION PRO Rain shower with wall fixing 220 mm - Chrome

---

28 649 626

### Spare parts list

No.	Item Number	Name	Quantity used	Delivery time
	04 30 31 032 00 90	fixing set	8	2