

**Rain shower with wall fixing 220 mm - Brushed Dark Platinum**

IMO

28 649 670



- 450mm projection
- rain shower Ø 220 mm
- PURE RAIN, max. flow rate 14 l/min (at 3 bar)
- Function from: 7 l/min
- rosette 65 x 65 mm
- 1/2" connection
- with anti-scale system
- quick clearing
- WRAS 2212012

Fits: IMO, CYO

|                                                                                      |                               |               |
|--------------------------------------------------------------------------------------|-------------------------------|---------------|
|    | Brushed Dark Platinum         | 28 649 670-99 |
|    | Chrome                        | 28 649 670-00 |
|    | Brushed Platinum              | 28 649 670-06 |
|    | Platinum                      | 28 649 670-08 |
|    | Dark Chrome                   | 28 649 670-19 |
|    | Brushed Light Gold            | 28 649 670-27 |
|    | Brushed Durabross (23kt Gold) | 28 649 670-28 |
|    | Matte Black                   | 28 649 670-33 |
|    | Brushed Champagne (22kt Gold) | 28 649 670-46 |
|   | Champagne (22kt Gold)         | 28 649 670-47 |
|  | Brushed Chrome                | 28 649 670-93 |

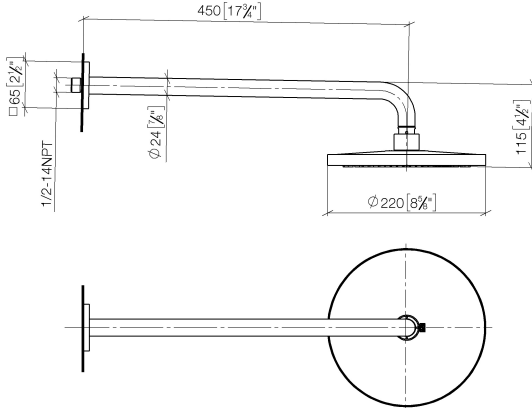
**Recommended miscellaneous**



- Concealed wall elbow -** 35 085 970 90
- max. recess depth 163 mm
  - min. recess depth 90 mm

28 649 670

mm [inches]



Flow rate chart



Codes & Standards

DIN 4109

ISO 3822

Scottish Water  
Byelaws

UK Water Supply  
Regulations

Ü-Zeichen



Rain shower with wall fixing 220 mm - Brushed Dark Platinum

IMO

28 649 670

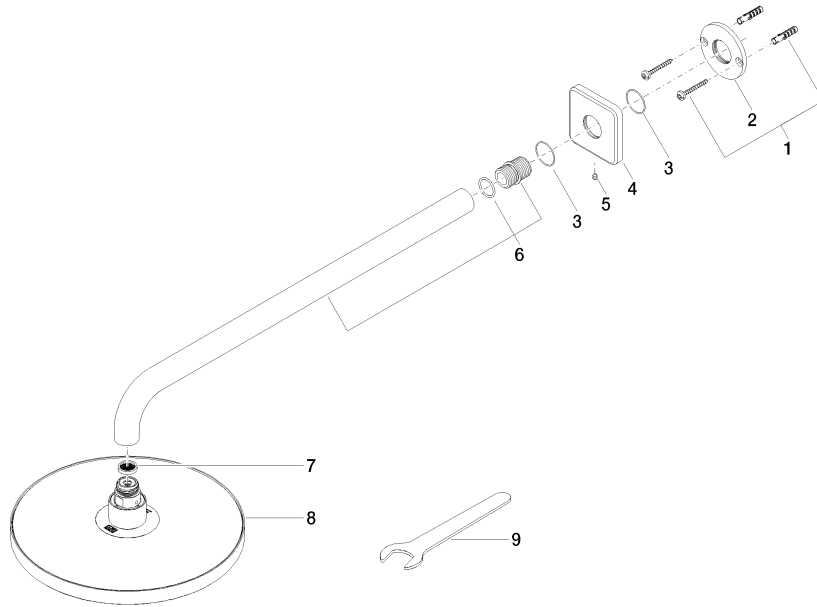
Certificates

LGA\_38

WRAS\_2212

28 649 670

Product version from 3/13/2017





## Rain shower with wall fixing 220 mm - Brushed Dark Platinum

IMO

28 649 670

### Spare parts list

#### Product version from 3/13/2017

| No. | Item Number        | Name       | Quantity used | Delivery time |
|-----|--------------------|------------|---------------|---------------|
|     | 04 30 31 032 00 90 | fixing set | 10            | 2             |