

32 800 790



- 235mm projection
- pivotable spout 360°
- spout, end-piece with 20° rotation
- air-enriched flow
- height of mixer 337 mm
- height up to aerator 297 mm
- individual rosettes Ø 55mm
- hole diameter spout 35 mm
- single-lever mixer hole diameter 35 mm
- max. flow 8 l/min at 3 bar flow pressure
- lead-free
- This product can help a building meet the requirements of Green Building Rating Systems, e.g. LEED®, BREEAM®, DGNB
- WRAS 2107024

Operating unit can be positioned freely.

| | | |
|---|--------------------------------|---------------|
|  | Chrome | 32 800 790-00 |
|  | Brushed Platinum | 32 800 790-06 |
|  | Platinum | 32 800 790-08 |
|  | Dark Chrome | 32 800 790-19 |
|  | Brushed Durabronze (23kt Gold) | 32 800 790-28 |
|  | Brushed Champagne (22kt Gold) | 32 800 790-46 |
|  | Champagne (22kt Gold) | 32 800 790-47 |
|  | Brushed Chrome | 32 800 790-93 |
|  | Brushed Dark Platinum | 32 800 790-99 |

Recommended miscellaneous

Strainer waste with control handle - Chrome 10 710 970-00

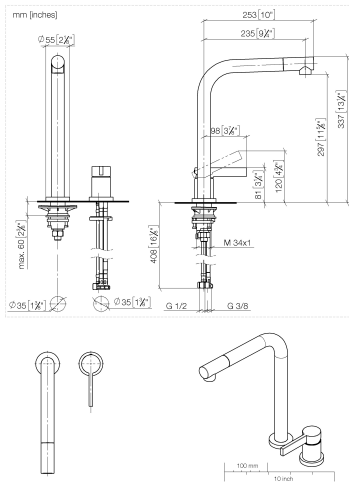


Recommended miscellaneous

Dispenser with rosette - Chrome 82 444 970-00



32 800 790



Flow rate chart



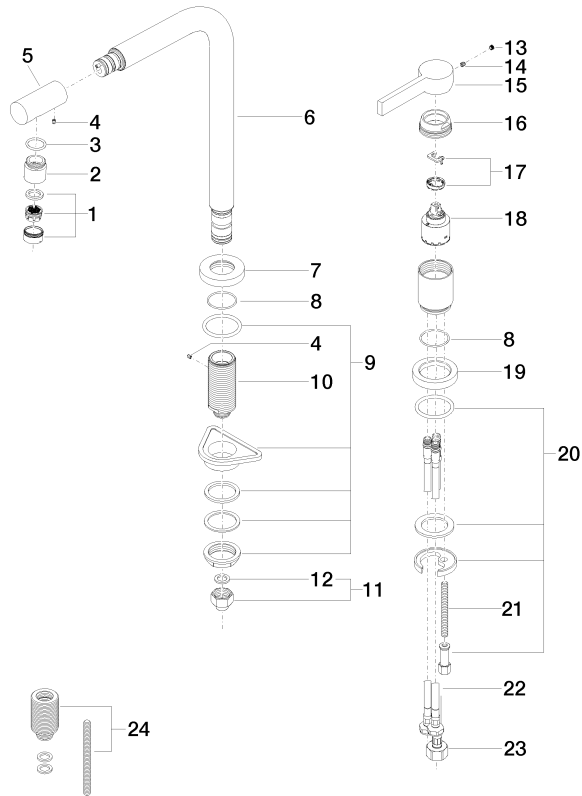
Certificates

LGA_18255.

ETA_18983.

WRAS_2107024.

32 800 790



32 800 790

Spare parts list

| No. | Item Number | Name | Quantity used | Delivery time |
|-----|--------------------|-----------------|---------------|---------------|
| 1 | 90 23 01 026 07-00 | aerator | 1 | 10 |
| 2 | 09 24 04 164 10-00 | nipple | 1 | 10 |
| 3 | 09 14 10 100 90 | seal | 1 | 2 |
| 4 | 09 31 11 044 90 | pin | 2 | 2 |
| 5 | 09 24 04 163 10-00 | nipple | 1 | 10 |
| 6 | 90 28 22 188 00-00 | spout | 1 | 10 |
| 7 | 09 27 79 001-00 | rosette | 1 | 10 |
| 8 | 09 14 10 102 90 | seal | 2 | 2 |
| 9 | 04 23 10 044 01 90 | fixing set | 1 | 2 |
| 10 | 09 30 01 094 10-00 | adaptor | 1 | 10 |
| 11 | 04 24 04 166 10 90 | nipple | 1 | 2 |
| 12 | 90 14 20 002 00 90 | seal | 1 | 2 |
| 13 | 90 31 20 109 00 90 | plug | 1 | 2 |
| 14 | 90 31 11 030 00 90 | pin | 1 | 2 |
| 15 | 09 20 79 040-00 | handle | 1 | 10 |
| 16 | 09 24 04 141-00 | nut | 1 | 10 |
| 17 | 90 28 10 148 00 90 | accessories | 1 | 2 |
| 18 | 90 15 05 061 00 90 | cartridge | 1 | 60 |
| 19 | 09 28 10 111-00 | rosette | 1 | 10 |
| 20 | 04 30 11 038 00 90 | fixing set | 1 | 2 |
| 21 | 09 31 11 011 90 | pin | 1 | 2 |
| 22 | 04 30 04 104 00 90 | hose | 2 | 2 |
| 23 | 04 30 04 019 00 90 | hose | 1 | 2 |
| 24 | 12 802 970 90 | Extension set - | 1 | 60 |