



# LOT BAR TAP Two-hole mixer with individual rosettes - Brushed Durabron (23kt Gold)

LOT

32 805 680



- 165mm projection
  - pivotable spout 360°
  - air-enriched flow
  - height of mixer 230 mm
  - height up to laminar flow regulator 205 mm
  - individual rosette 55 x 55 mm
  - hole diameter spout 35 mm
  - single-lever mixer hole diameter 44 mm
  - max. flow 8 l/min at 3 bar flow pressure
  - lead-free
  - WRAS 1909073
  - This product can help a building meet the requirements of Green Building Rating Systems, e.g. LEED®, BREEAM®, DGNB
- Operating unit can be positioned freely.

	Brushed Durabron (23kt Gold)	32 805 680-28
	Chrome	32 805 680-00
	Brushed Platinum	32 805 680-06
	Platinum	32 805 680-08
	Dark Chrome	32 805 680-19
	Brushed Champagne (22kt Gold)	32 805 680-46
	Champagne (22kt Gold)	32 805 680-47
	Brushed Dark Platinum	32 805 680-99

## Recommended miscellaneous

**Strainer waste with control handle** 10 711 970-28  
**- Brushed Durabron (23kt Gold)**



## Recommended miscellaneous

**Dispenser with rosette - Brushed Durabron (23kt Gold)** 82 439 970-28

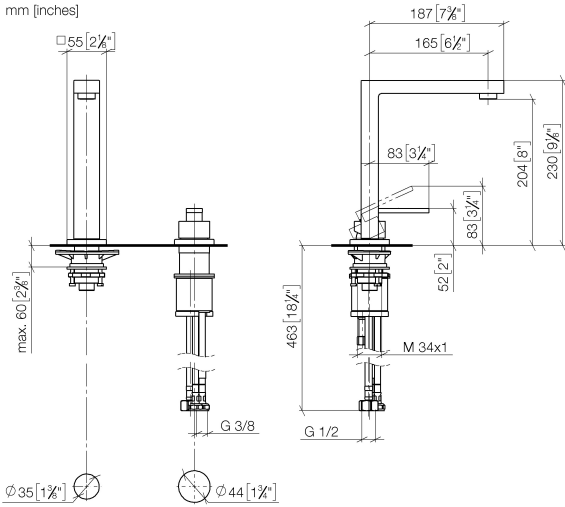


**LOT BAR TAP Two-hole mixer with individual rosettes - Brushed Durabross  
(23kt Gold)**

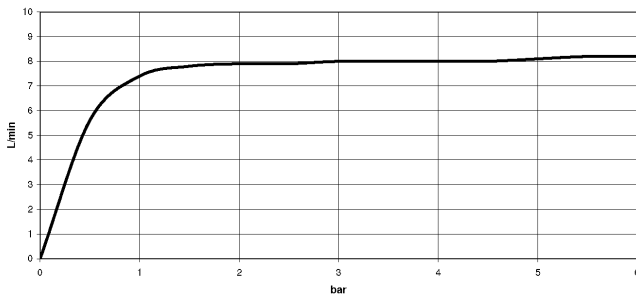
LOT

32 805 680

mm [inches]



**Flow rate chart**



**Codes & Standards**

DIN 4109

EN 817

Executive Order  
no. 1007

ISO 3822

Scottish Water  
Byelaws

UK Water Supply  
Regulations

Ü-Zeichen

VA-Zeichen



LOT BAR TAP Two-hole mixer with individual rosettes - Brushed Durabronze  
(23kt Gold)

---

LOT

32 805 680

Certificates

---

LGA\_18

WRAS\_1909

GDV\_0400

ETA\_18



# LOT BAR TAP Two-hole mixer with individual rosettes - Brushed Durabronz (23kt Gold)

LOT

32 805 680

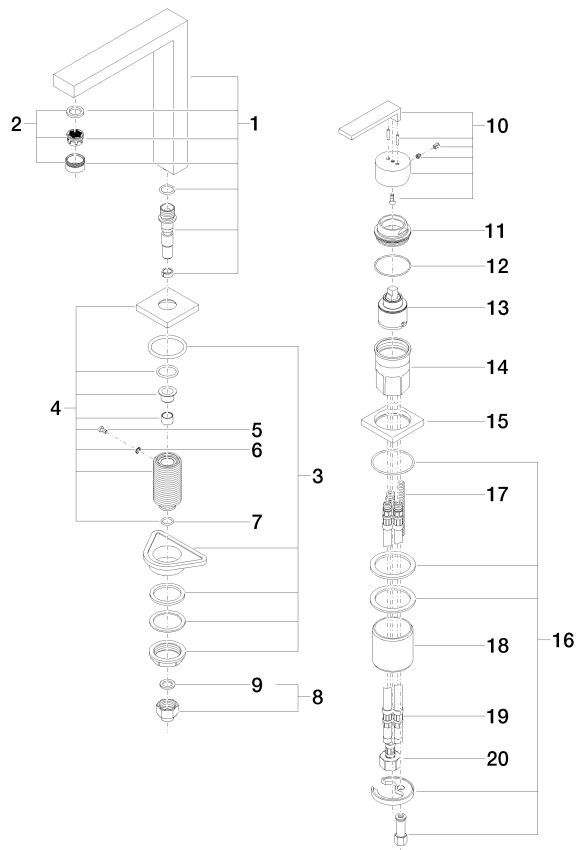
Product version from 5/31/2010 to 3/10/2021

Product version from 3/10/2021 to 5/10/2021

Product version from 5/10/2021

## Product version from 6/1/2022

Parts for other finishes can be found here: [Chrome](#)





LOT BAR TAP Two-hole mixer with individual rosettes - Brushed Durabrass  
(23kt Gold)

---

LOT

32 805 680

Spare parts list

Product version from 5/31/2010 to 3/10/2021

Product version from 3/10/2021 to 5/10/2021

Product version from 5/10/2021

**Product version from 6/1/2022**